

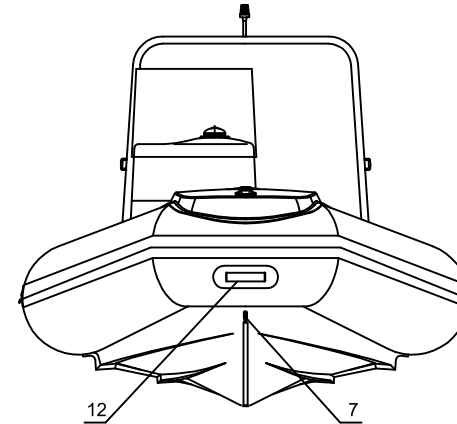
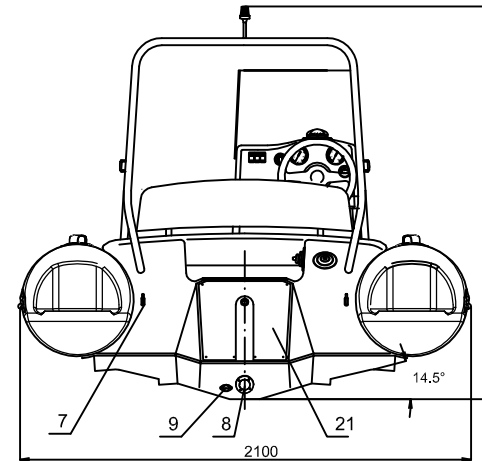
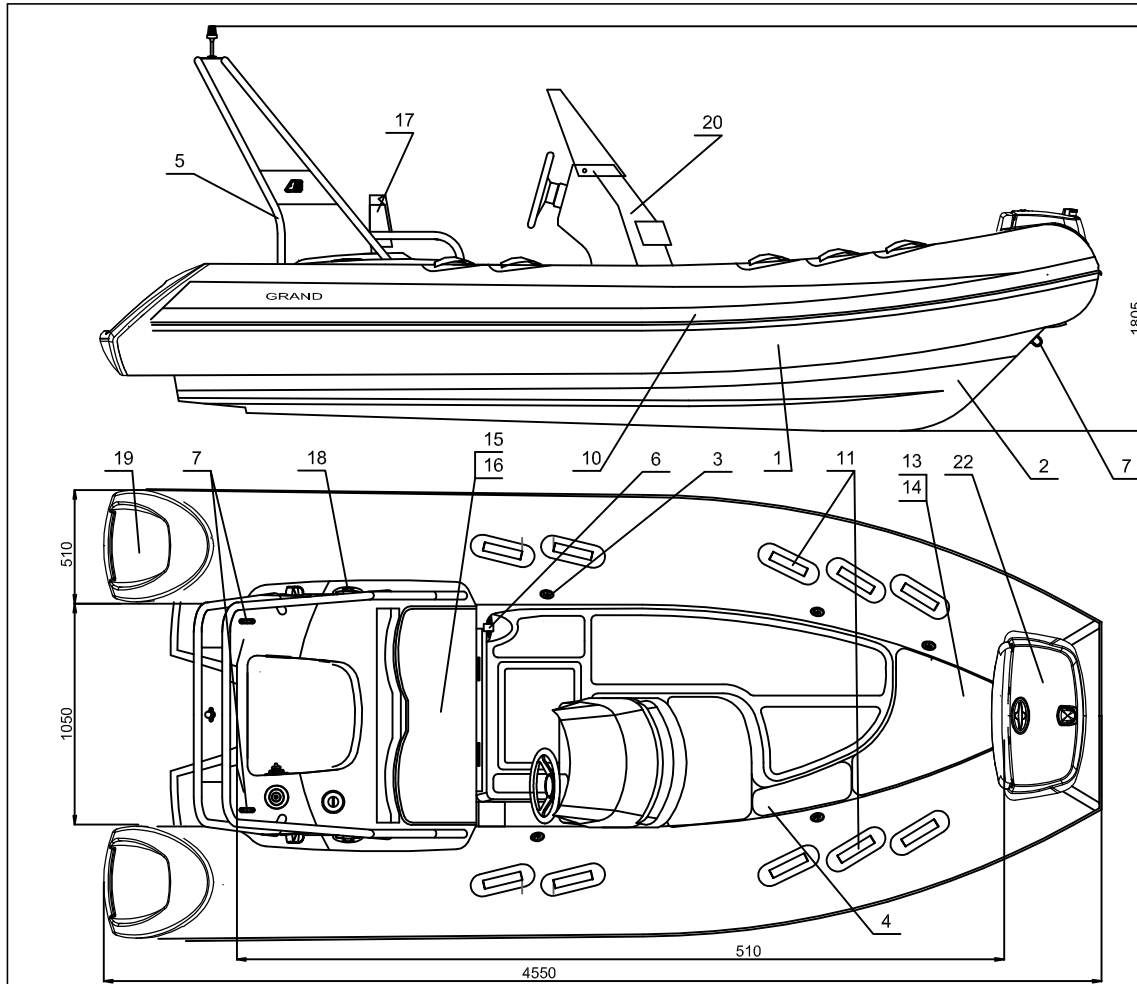
Item	Designation	Denomination	Qty	Remark
1	4225	Inflatable tube for G480EF	1	
2	4321	Fiberglass hull for G480	1	
3	4139	Inflation-deflation valve BRAVO-2005	5	
4	4604	Bow side cushion for G480	1	
5	2521	2 rear handrails on bases for G480EF	1	
6	4440	Expanded drain plug 25 mm	1	
7	4403	U-bolt M8x100	5	
8	4445	Drain valve 45x30	3	
9	4442	Drain through-hull with plug	1	
10	4264	Rubbing strake, 100 mm		19,2 m
11	425002	PVC handle grey / dark grey Insertion	6	
12	4250	PVC handle grey / grey Insertion	1	
13	4603	Bow locker removable cushion G480	1	
14	4652	Bow locker seat base for G480	1	
15	4613	Rear seat removable cushion G480	1	
16	4655	Rear seat base for G480 with hinges	1	
17	4622	Rear seat back G480	1	
18	4463	Pull-up cleat 6" 1/2", stainless steel	2	
19	2422	Fiberglass step ends for G480	2	
20	2212	Steering console head ELITE for G480E	1	
21	4426	Motor plate extremal N7	1	
22	2407	Bow step plate N7	1	

APPROVED BY: _____ DRAWN BY: _____ CHECKED BY: _____ DATE: _____		PROJECT: _____ DRAWING NO.: _____ SHEET NO.: _____	DO NOT SCALE DRAWING: _____ PROJECT: _____
NAME: _____ POSITION: _____ DATE: _____	NAME: _____ POSITION: _____ DATE: _____	NAME: _____ POSITION: _____ DATE: _____	NAME: _____ POSITION: _____ DATE: _____

PROPRIETARY AND CONFIDENTIAL: THE INFORMATION CONTAINED HEREIN IS THE SOLE PROPERTY OF GOLDEN LINE CORPORATION. ANY REPRODUCTION OR DISSEMINATION WITHOUT THE WRITTEN PERMISSION OF GOLDEN LINE CORPORATION IS PROHIBITED.

Golden Line
G480EF
1102

SHEET 1 OF 1



Item	Designation	Denomination	Q	Remark
1	4223	Inflatable tube for G480F	1	
2	4321	Fiberglass hull for G480	1	
3	4139	Inflation-deflation valve BRAVO-2005	3	
4	4604	Bow side cushion for G480	1	
5	250301	St. steel arch, polished	1	
6	4440	Expanded drain plug 25mm	1	
7	4403	U-bolt: M8x100	5	
8	4445	Drain valve 45x30	3	
9	4442	Drain through-hull with plug	1	
10	4264	Rubbing strake, 100 mm	1	19,2 m
11	425002	PVC handle grey / dark grey Insertion	6	
12	4250	PVC handle grey / grey Insertion	1	
13	4603	Bow locker removable cushion G480	1	
14	4652	Bow locker seat base for G480	1	
15	4613	Rear seat removable cushion G480	1	
16	4655	Rear seat base for G480 with hinges	1	
17	4622	Rear seat back G480	1	
18	4463	Pull -up cleat 6" 1/2", stainless steel	2	
19	2422	Fiberglass step ends G480	2	
20	2211	Steering console head for G480L	1	
21	4426	Motor plate extremal N7	1	
22	2407	Bow step plate N7	1	

ALL DIMENSIONS ARE IN MILLIMETERS UNLESS OTHERWISE SPECIFIED. DIMENSIONS ARE TO CENTER UNLESS OTHERWISE SPECIFIED. DIMENSIONS ARE TO CENTER UNLESS OTHERWISE SPECIFIED. DIMENSIONS ARE TO CENTER UNLESS OTHERWISE SPECIFIED. DIMENSIONS ARE TO CENTER UNLESS OTHERWISE SPECIFIED.		SHEET NO. 1101 SHEET TOTAL 1101
NAME: _____ DESIGNER: _____ CHECKED: _____ DATE: _____	PROJECT NO.: _____ DRAWING NO.: _____ SCALE: _____ DATE: _____	GOLDEN LINE 480LF 1101 SHEET TOTAL 1101