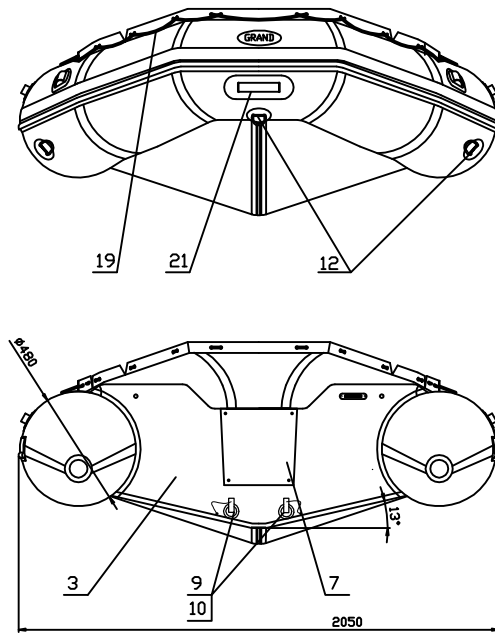
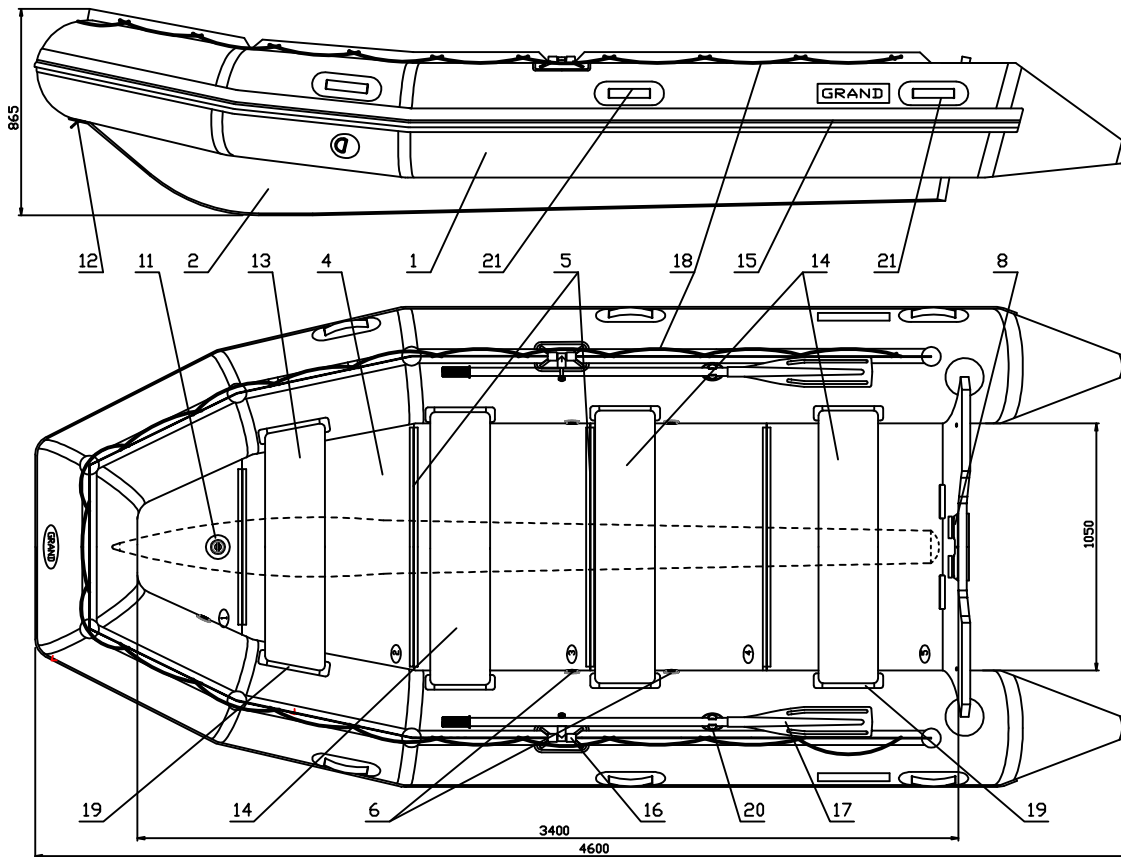


Item No	Description	QTY	Note
1	Multichamber buoyancy tube for R380	1	
2	V-shape bottom for R380	1	
3	Integral marine grade ply transom for R380	1	
4	4565 Floorboards set for R380	1	
5	4575 Aluminum beams set for R380	1	
6	4139 Inflation-deflation valve BRAVO-2005	3	
7	4427 Motor plate external N8	1	
8	4411 Motor plate Internal 270x98	1	
9	4444 Drain through-hull tube ,42mm	2	
10	4441 Expandable drain plug 42 mm	2	
11	4595 Inflatable keel for R380	1	
12	4259 Towing eye, PVC	3	
13	4517 Wooden seat N12 grey	1	
14	4518 Wooden seat N13 grey	2	
15	4264 Rubbing strake, 100 mm	1	7.8 m
16	4282 Oarlock	2	
17	4103 Oar 180 cm with rivet	2	
18	Lifeline, D 14 mm	2	
19	4255 Wooden seat holder N2	6	
20	4256 Oar holder	2	
21	4250 PVC handle grey / grey Insertion	1	

PROJECT NAME AND COMMERCIAL INFORMATION PROJECT NO: 12345678 CLIENT: ABC COMPANY DATE: 2023-10-27		DRAWING NO: 00-001 SCALE: 1:1000 SHEET NO: 01/001	
PROJECT NAME AND COMMERCIAL INFORMATION PROJECT NO: 12345678 CLIENT: ABC COMPANY DATE: 2023-10-27	PROJECT NAME AND COMMERCIAL INFORMATION PROJECT NO: 12345678 CLIENT: ABC COMPANY DATE: 2023-10-27	<b>Ranger R380</b>  <b>1200.00</b>	





Item No	Description	Q	Note
1	Multi chamber buoyancy tube for R460	1	
2	V-shape bottom for R460	1	
3	Integral marine grade ply transom for R460	1	
4	4567 Floorboards set for R460	1	
5	4577 Aluminium beams set for R460	1	
6	4139 Inflation-deflation valve BRAVO-2005	5	
7	4427 Motor plate extremal N8	1	
8	4411 Motor plate internal 270x98	1	
9	4444 Drain through-hull tube - 42mm	2	
10	4441 Expandeb drain plug 42 mm	2	
11	4597 Inflatable keel for R460	1	
12	4259 Towing eye, PVC	3	
13	4519 Wooden seat N14 grey	1	
14	4520 Wooden seat N15 grey	3	
15	4264 Rubbing strake, 100 mm	1	9.8 m
16	4262 Oarlock	2	
17	4103 Oar 180 cm with rivert	2	
18	Lifeline, D 14 mm	2	
19	4255 Wooden seat holder N2	6	
20	4256 Oar holder	2	
21	4250 PVC handle grey / grey Insertion	1	

PROPRIETARY AND CONFIDENTIAL THE INFORMATION CONTAINED HEREIN IS THE SOLE PROPERTY OF GRAND. NO REPRODUCTION OR DISSEMINATION OF THIS INFORMATION IS PERMITTED WITHOUT THE WRITTEN CONSENT OF GRAND.		RANGE R460 1220 SHEET OF 1
---	--	----------------------------------