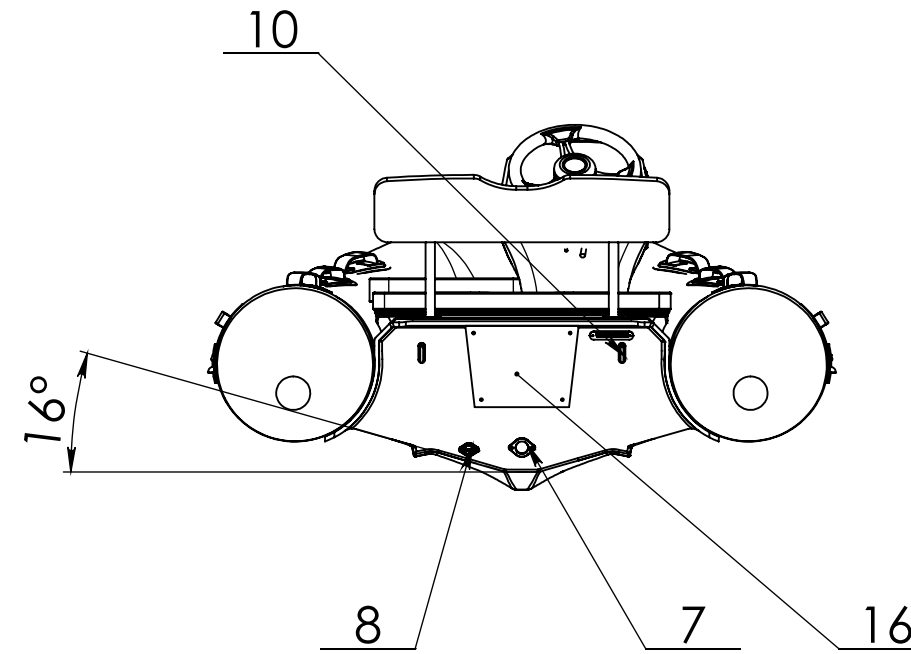
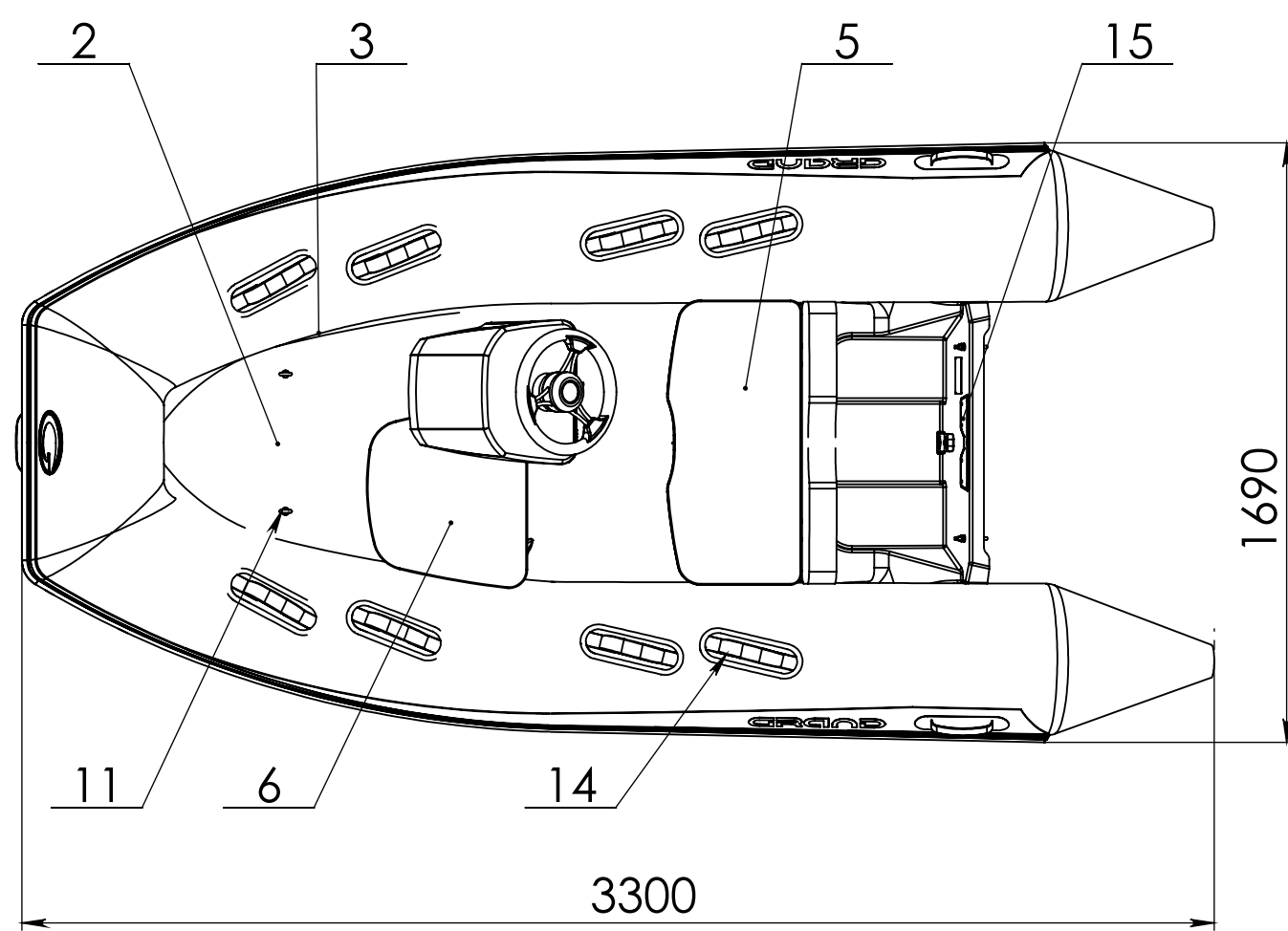
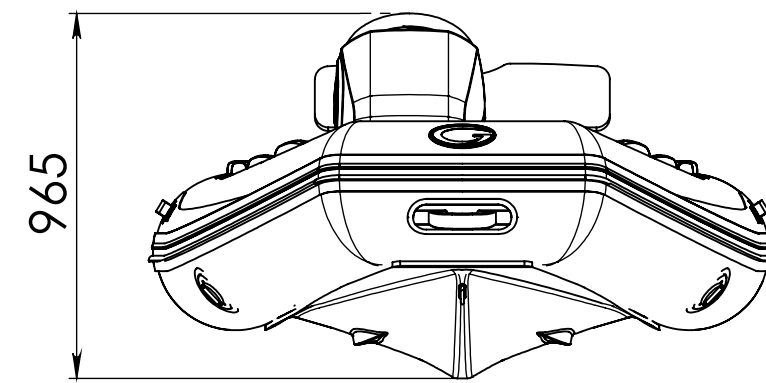
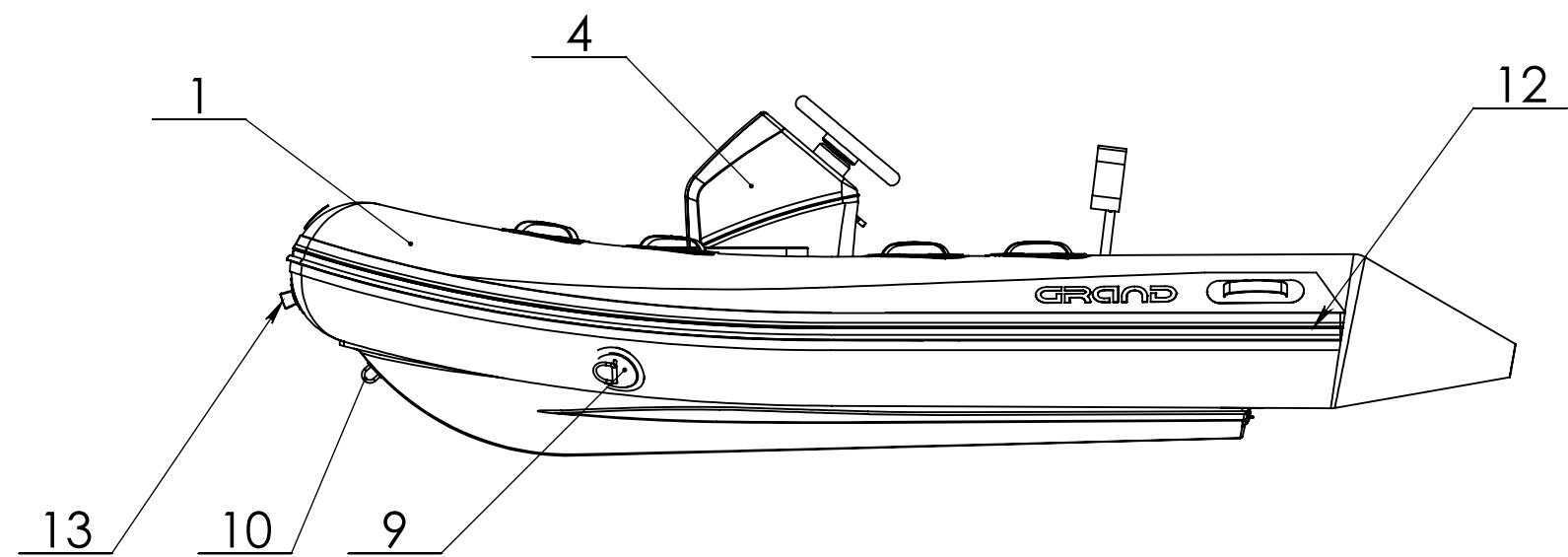


Item	Item No	Description	Q-ty	Note
1	4205	Inflatable tube for S300	1	
2		Fiberglass hull for S300	1	
3	4139	Inflation-deflation valve BRAVO-2005	3	
4	2224	Steering console CL-17	1	
5	2312	Doble seat SD-12 Double seat SD-12 with stowage and back	1	
6	2313	Console seat SD-14 with access door	1	
7	4448	Pull up drain valve	1	
8	4442	Drain through-hull with plug		
9	4259	Towing eye, PVC	2	
10	4403	U-bolt M8x100	3	
11		Front lifting eye	1	
12	4264	Rubbing strake, 100 mm	6.6 m	
13	4250	PVC handle grey / grey insertion	1	
14	425002	PVC handle grey /dark grey insertion	8	
15	4410	Motor plate internal 230x86	1	
16	4420	Motor plate external No1	1	

UNLESS OTHERWISE SPECIFIED: DIMENSIONS ARE IN MILLIMETERS		FINISH:		DEBUR AND BREAK SHARP EDGES		DO NOT SCALE DRAWING		REVISION	
SURFACE FINISH:									
TOLERANCES:									
LINEAR:									
ANGULAR:									
DRAWN: Drobzyazko		SIGNATURE:		DATE: 05.07.2012		TITLE: S300L. General View			
CHK'D:									
APP'VD:									
MFG:									
Q.A:						MATERIAL:		ITEM: 1032	
								A3	
						WEIGHT:		SCALE:1:20	
								SHEET 1 OF 1	

PROPOETARY AND CONFIDENTAL THE INFORMATION CONTAINED IN THIS DRAWING IS THE SOLE PROPERTY OF GRAND MARINE CORPORATION. ANY REPRODUCTION IN PART OR AS A WHOLE WITHOUT THE WRITTEN PERMISSION OF GRAND MARINE CORPARATION IS PROHIBITED



Item	Item No	Description	Q-ty	Note
1	4207	Inflatable tube for S330F	1	
2	4305	Fiberglass hull for S330	1	
3	4139	Inflation-deflation valve BRAVO-2005	3	
4	2224	Steering console CL-17	1	
5	2312	Doble seat SD-12 Double seat SD-12 with stowage and back	1	
6	2313	Console seat SD-14 with access door	1	
7	4448	Pull up drain valve	1	
8	4442	Drain through-hull with plug		
9	4259	Towing eye, PVC	2	
10	4403	U-bolt M8x100	3	
11		Front lifting eye	1	
12	4264	Rubbing strake, 100 mm	6.9 m	
13	4250	PVC handle grey / grey insertion	1	
14	425002	PVC handle grey /dark grey insertion	8	
15	4410	Motor plate internal 230x86	1	
16	4420	Motor plate external No1	1	

UNLESS OTHERWISE SPECIFIED: DIMENSIONS ARE IN MILLIMETERS		FINISH:		DEBUR AND BREAK SHARP EDGES		DO NOT SCALE DRAWING		REVISION	
SURFACE FINISH:									
TOLERANCES:									
LINEAR:									
ANGULAR:									
DRAWN: Drobzyzko		SIGNATURE:		DATE: 05.07.2012		TITLE: S330L. General View			
CHK'D:									
APPVD:									
MFG:									
Q.A:						MATERIAL:		ITEM: 1032	
								A3	
						WEIGHT:		SCALE:1:20 SHEET 1 OF 1	

PROPOETARY AND CONFIDENTAL THE INFORMATION CONTAINED IN THIS DRAWING IS THE SOLE PROPERTY OF GRAND MARINE CORPORATION. ANY REPRODUCTION IN PART OR AS A WHOLE WITHOUT THE WRITTEN PERMISSION OF GRAND MARINE CORPARATION IS PROHIBITED