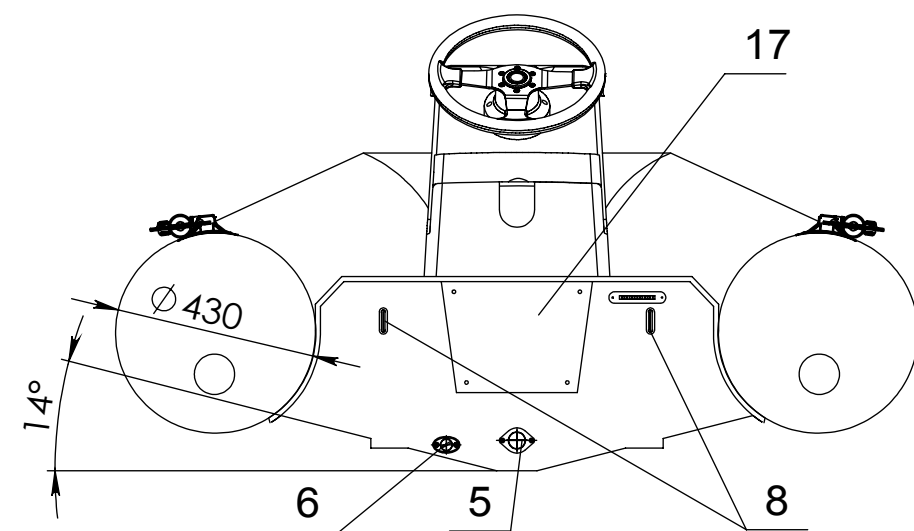
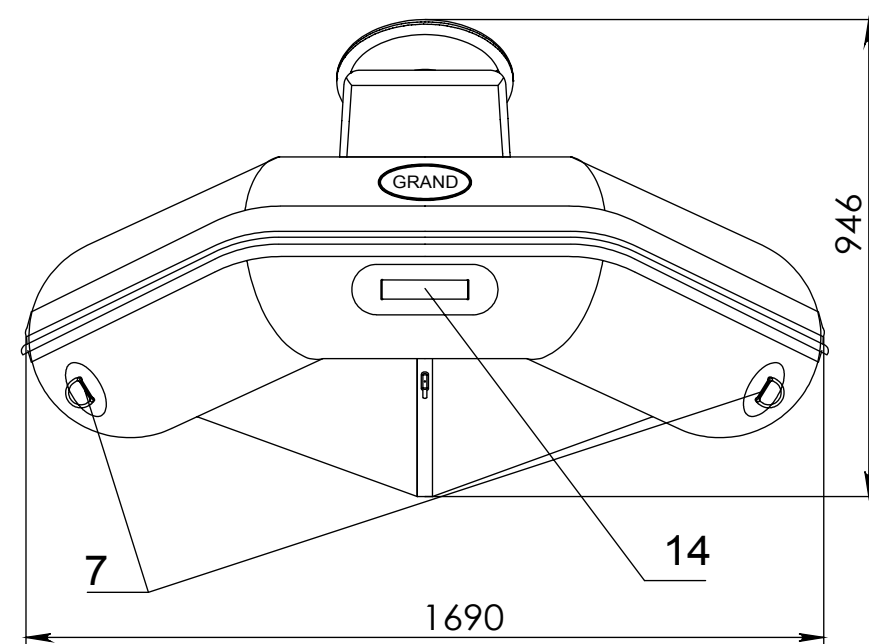
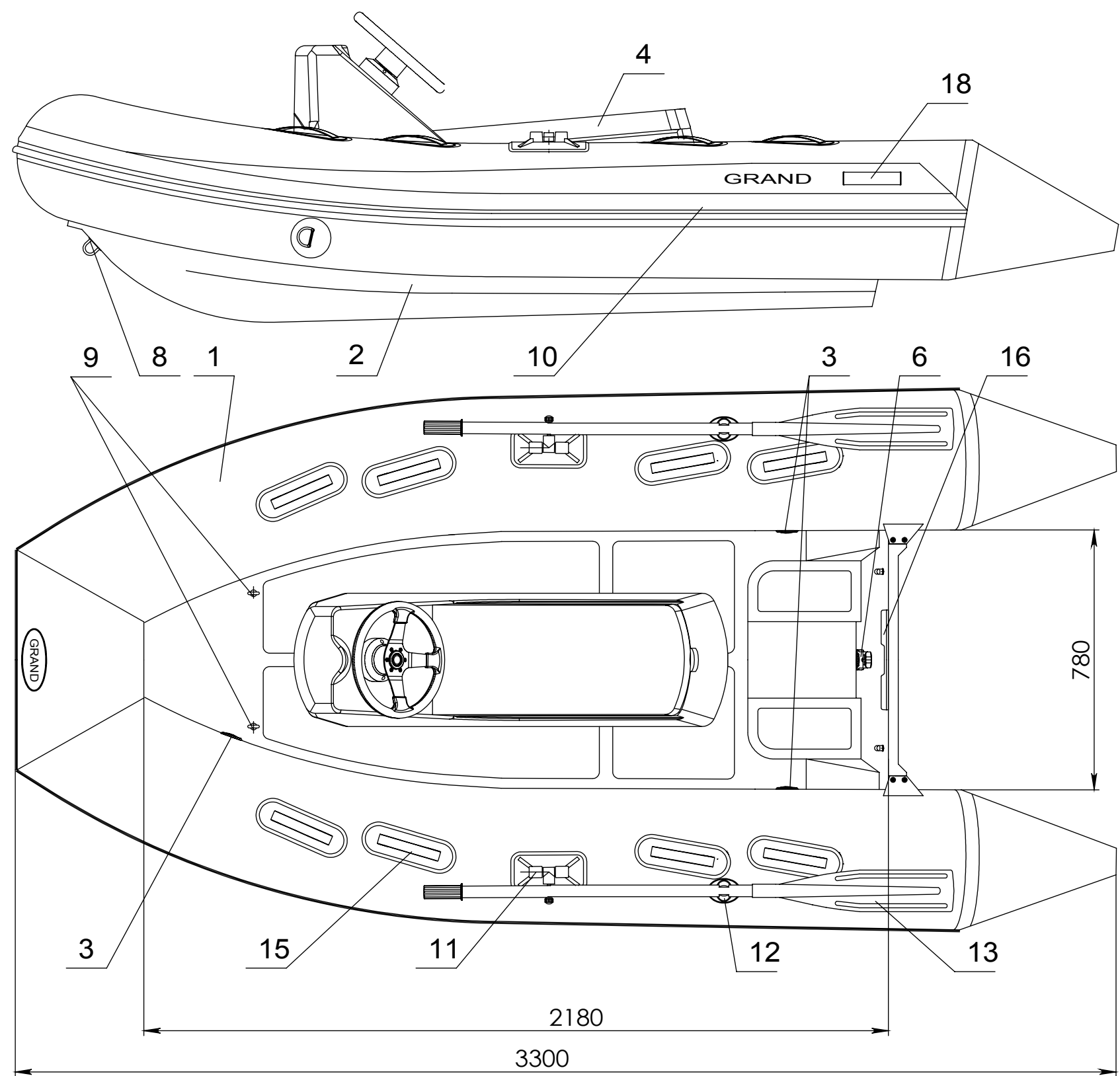


Item	Item No	Description	Q-ty	Note
1	4205	Inflatable tube for S300	1	
2	4304	Fiberglass hull for S300S	1	
3	4139	Inflation-deflation valve BRAVO-2005	3	
4	2208	Steering console CS-01	1	
5	4448	Pull up drain valve	1	
6	4442	Drain through-hull with plug	3	
7	4259	Towing eye, PVC	2	
8	4403	U-bolt M8x100	3	
9		Front lifting eye	1	
10	4264	Rubbing strake, 100 mm	6.6 m	
11	4262	Oarlock	2	
12	4256	Oar holder	2	
13	4102	Oar 160 cm with rivert	2	
14	4250	PVC handle grey / grey insertion	1	
15	425002	PVC handle grey /dark grey insertion	8	
16	4411	Motor plate internal 270x98	1	
17	4420	Motor plate external №1	1	
18		Rear handle	2	

UNLESS OTHERWISE SPECIFIED: DIMENSIONS ARE IN MILLIMETERS SURFACE FINISH: TOLERANCES: LINEAR: ANGULAR:		FINISH:	DEBUR AND BREAK SHARP EDGES	DO NOT SCALE DRAWING	REVISION
DRAWN	NAME Drobyazko	SIGNATURE	DATE 05.07.2012	TITLE: <b>Silver Line S300S</b>	
CHK'D	Fedishin			ITEM: <b>1021</b>	
APP'VD				SCALE:1:15	
MFG				SHEET 2 OF 2	
Q.A	Grebennikov		MATERIAL:	A3	
			WEIGHT:		

PROPORIETARY AND CONFIDENTIAL THE INFORMATION CONTAINED IN THIS DRAWING IS THE SOLE PROPERTY OF GRAND MARINE CORPORATION. ANY REPRODUCTION IN PART OR AS A WHOLE WITHOUT THE WRITTEN PERMISSION OF GRAND MARINE CORPORATION IS PROHIBITED



Item	Item No	Description	Q-ty	Note
1	4205	Inflatable tube for S330	1	
2	4306	Fiberglass hull for S330S	1	
3	4139	Inflation-deflation valve BRAVO-2005	3	
4	2208	Steering console CS-01	1	
5	4448	Pull up drain valve	1	
6	4442	Drain through-hull with plug	3	
7	4259	Towing eye, PVC	2	
8	4403	U-bolt M8x100	3	
9		Front lifting eye	1	
10	4264	Rubbing strake, 100 mm	6.6 m	
11	4262	Oarlock	2	
12	4256	Oar holder	2	
13	4102	Oar 160 cm with rivert	2	
14	4250	PVC handle grey / grey insertion	1	
15	425002	PVC handle grey /dark grey insertion	8	
16	4411	Motor plate internal 270x98	1	
17	4420	Motor plate external №1	1	
18		Rear handle	2	

UNLESS OTHERWISE SPECIFIED: DIMENSIONS ARE IN MILLIMETERS SURFACE FINISH: TOLERANCES: LINEAR: ANGULAR:		FINISH:	DEBUR AND BREAK SHARP EDGES	DO NOT SCALE DRAWING	REVISION
DRAWN	NAME Drobyazko	SIGNATURE	DATE 05.07.2012	TITLE: <b>Silver Line S330S</b>	
CHK'D	Fedishin			ITEM: <b>1031</b>	
APP'VD				SCALE:1:15	
MFG				SHEET 2 OF 2	
Q.A	Grebennikov		MATERIAL:	A3	
			WEIGHT:		

PROPOETARY AND CONFIDENTIAL THE INFORMATION CONTAINED IN THIS DRAWING IS THE SOLE PROPERTY OF GRAND MARINE CORPORATION. ANY REPRODUCTION IN PART OR AS A WHOLE WITHOUT THE WRITTEN PERMISSION OF GRAND MARINE CORPARATION IS PROHIBITED