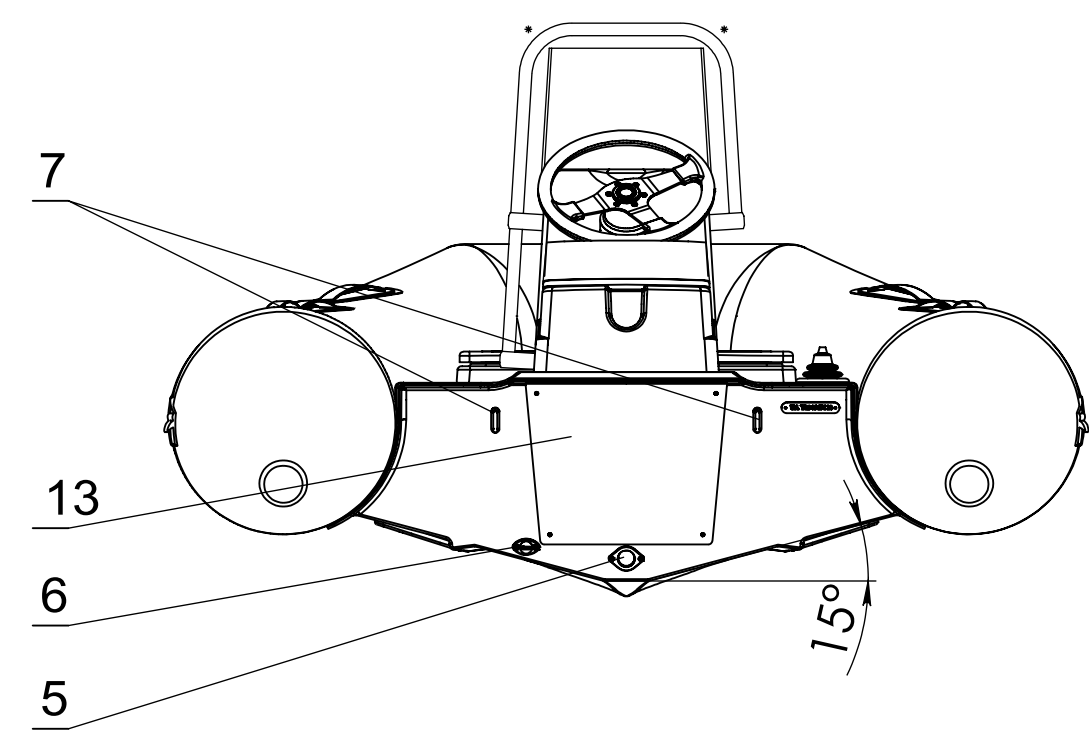
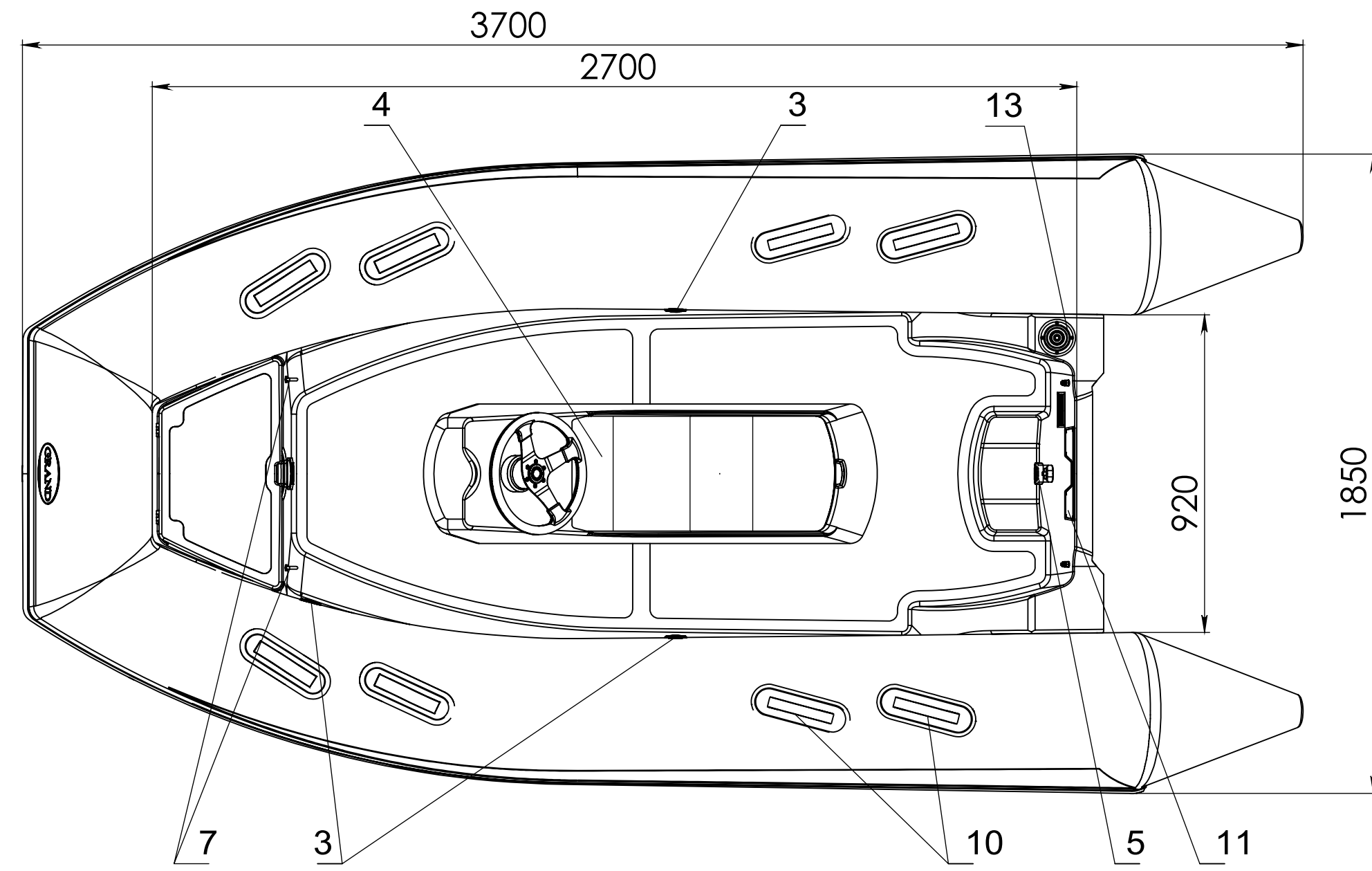
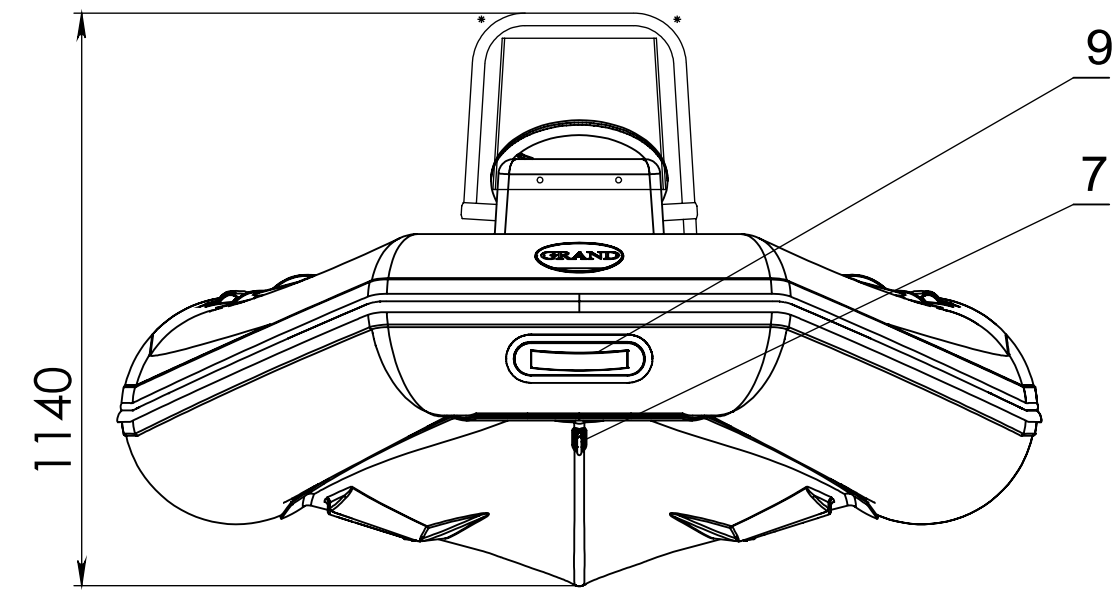
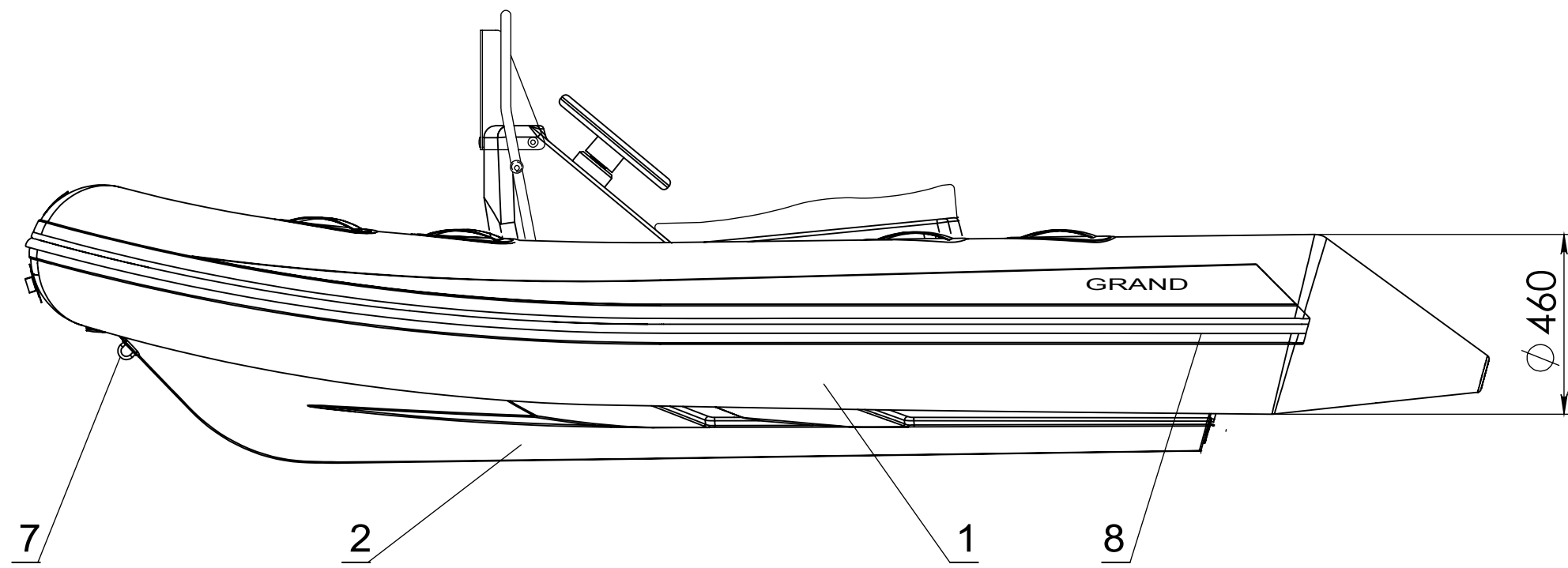


Item	Item No	Description	Q-ty	Note
1	4231	Inflatable tube for S370N	1	
2	4326	Fiberglass hull for S370N	1	
3	4139	Inflation-deflation valve BRAVO-2005	3	
4	4525	Wooden seat №25 white	1	
5	4526	Wooden seat №26 white	1	
6	4448	Pull up drain valve	1	
7	4442	Drain through-hull with plug		
8	4259	Towing eye, PVC	2	
9	4403	U-bolt M8x100	3	
10	4264	Rubbing strake, 100 mm	7.9 m	
1	4255	Wooden seat holder №2	4	
12	4262	Oarlock	2	
1	4256	Oar holder	2	
14	4103	Oar 180 cm with rivert	2	
15	4250	PVC handle grey / grey insertion	1	
17	425002	PVC handle grey /dark grey insertion	8	
16	4410	Motor plate internal 230x86	1	
18	4423	Motor plate external No4	1	

UNLESS OTHERWISE SPECIFIED: DIMENSIONS ARE IN MILLIMETERS			FINISH:		DEBUR AND BREAK SHARP EDGES		DO NOT SCALE DRAWING		REVISION	
SURFACE FINISH:										
TOLERANCES:										
LINEAR:										
ANGULAR:										
DRAWN: Drobnyazko			SIGNATURE:		DATE: 05.07.2012		TITLE: Silver Line S370N			
CHK'D: Fedishin										
APP'VD:										
MFG:										
Q.A: Grebennikov					MATERIAL:		ITEM: 1130		A3	
					WEIGHT:		SCALE: 1:15		SHEET 1 OF 3	

PROPRIETARY AND CONFIDENTIAL THE INFORMATION CONTAINED IN THIS DRAWING IS THE SOLE PROPERTY OF GRAND MARINE CORPORATION. ANY REPRODUCTION IN PART OR AS A WHOLE WITHOUT THE WRITTEN PERMISSION OF GRAND MARINE CORPORATION IS PROHIBITED

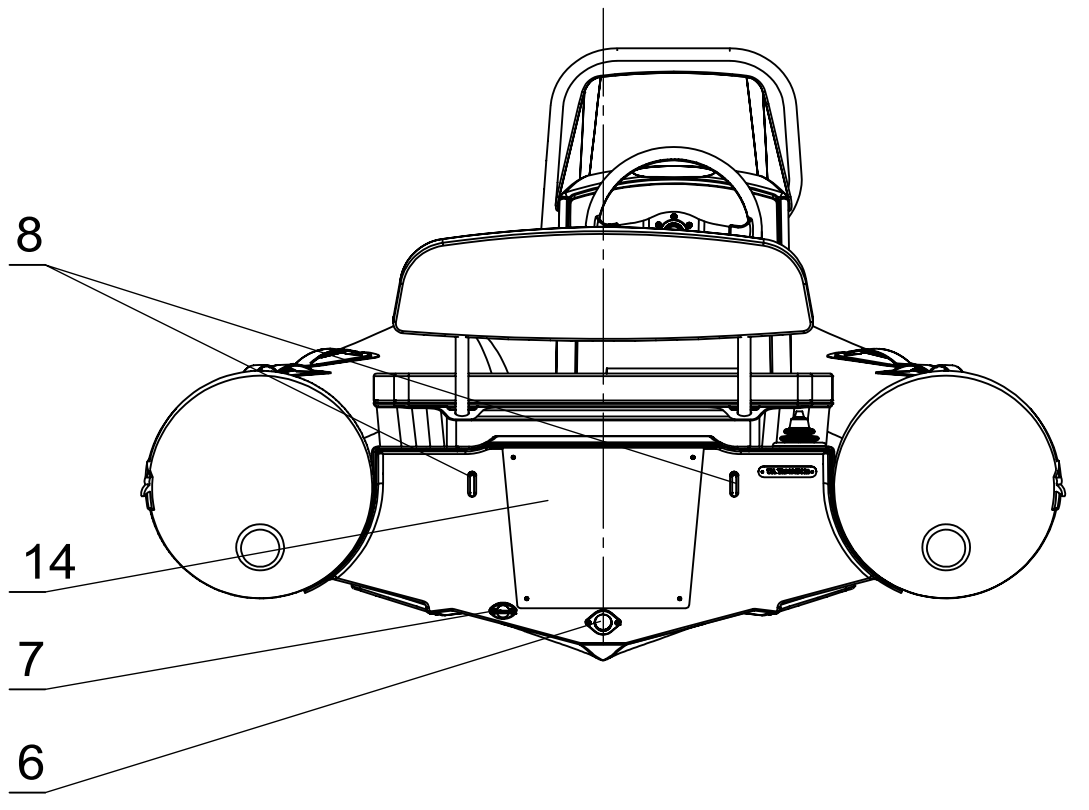
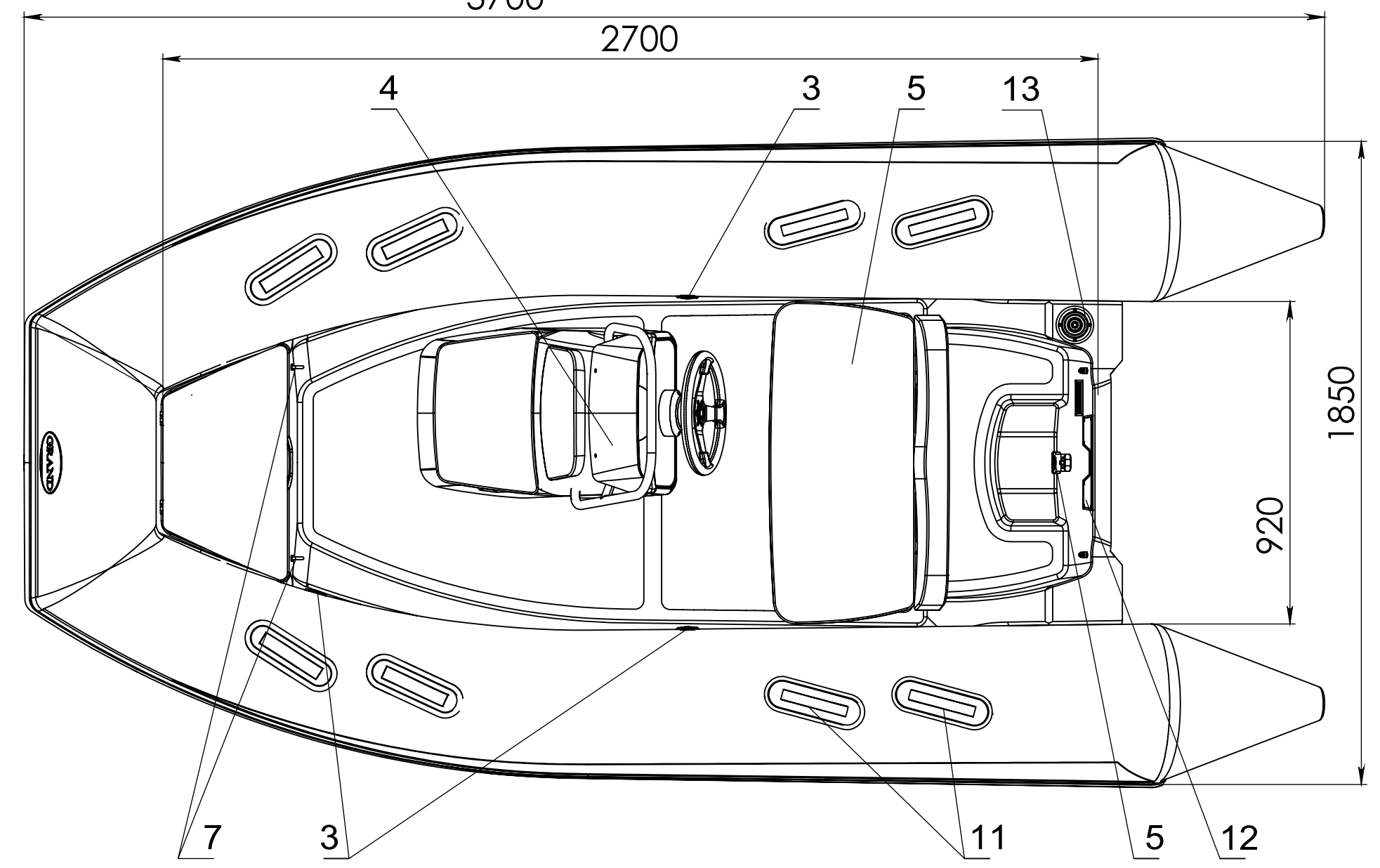
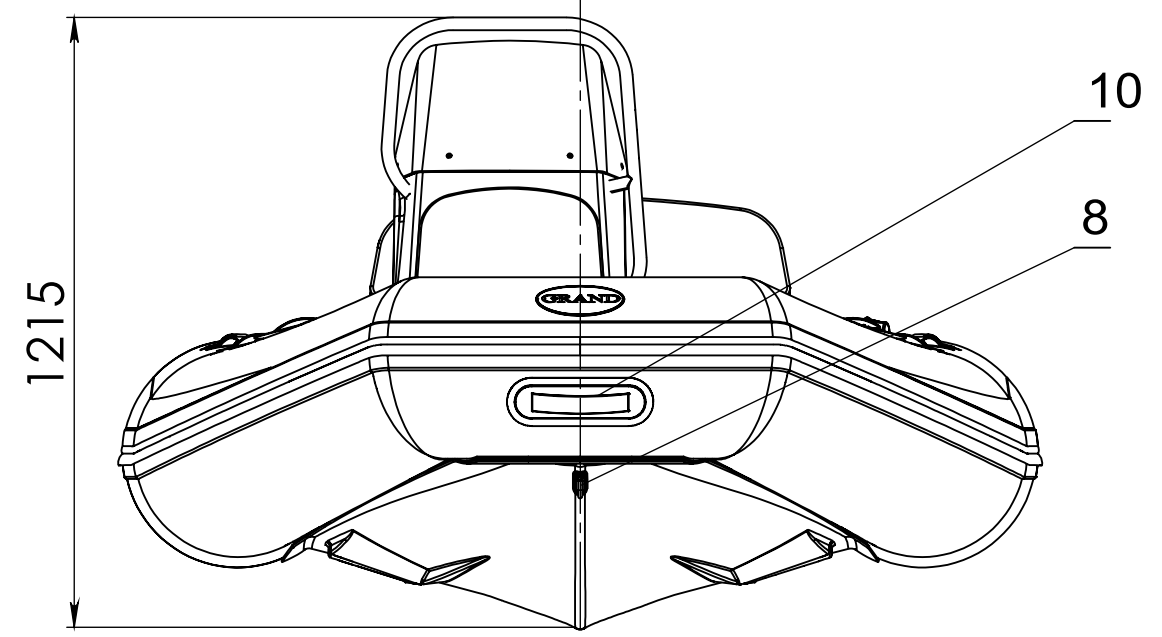
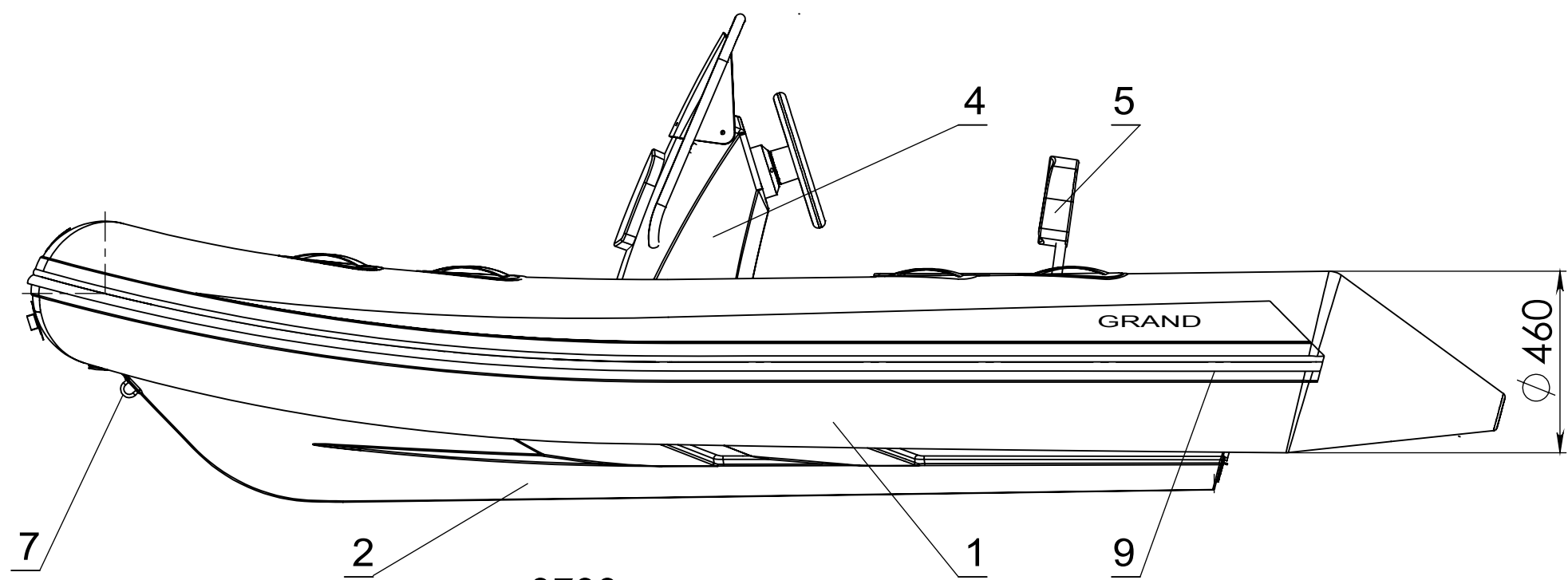


Item	Item No	Description	Q-ty	Note
1	4231	Inflatable tube for S370N	1	
2	4327	Fiberglass hull for S370NS	1	
3	4139	Inflation-deflation valve BRAVO-2005	3	
4	2209	Steering console CS-01	1	
5	4448	Pull up drain valve	1	
6	4442	Drain through-hull with plug	1	
7	4403	U-bolt M8x100	3	
8	4264	Rubbing strake, 100 mm	7.9 m	
9	4250	PVC handle grey / grey insertion	1	
10	425002	PVC handle grey /dark grey insertion	8	
11	4410	Motor plate internal 230x86	1	
12	4423	Motor plate external No4	1	
13	4466	Wire steering grommet and ring	1	

UNLESS OTHERWISE SPECIFIED: DIMENSIONS ARE IN MILLIMETERS SURFACE FINISH: TOLERANCES: LINEAR: ANGULAR:		FINISH:	DEBUR AND BREAK SHARP EDGES	DO NOT SCALE DRAWING	REVISION
DRAWN	NAME	SIGNATURE	DATE	TITLE: Silver Line S370NS	
CHK'D			05.07.2012	ITEM: 1031	
APPV'D				SCALE:1:15	
MFG				SHEET 2 OF 3	
Q.A				A3	
				WEIGHT:	

PROPRIETARY AND CONFIDENTIAL
 INFORMATION CONTAINED IN THIS DRAWING
 IS THE SOLE PROPERTY OF
 GRAND MARINE CORPORATION.
 ANY REPRODUCTION IN PART OR AS
 A WHOLE WITHOUT THE WRITTEN PERMISSION
 OF GRAND MARINE CORPORATION IS
 PROHIBITED

Дробязко
 Алдин
 Савенников



Item		Description	Q-ty	NOTE
1	4231	Inflatable tube for S370N	1	
2	4328	Fiberglass hull for S370NL	1	
3	4139	Inflation-deflation valve BRAVO-2005	3	
4	2219	Steering console CL--11	1	
5	2306	Double seats SD-06	1	
6	4448	Pull up drain valve	1	
7	4442	Drain through-hull with plug	1	
8	4403	U-bolt M8x100	5	
9	4264	Rubbing strake, 100 mm	7.9 m	
10	4250	PVC handle grey / grey insertion	1	
11	425002	PVC handle grey /dark grey insertion	8	
12	4410	Motor plate internal 230x86	1	
13	4423	Motor plate external No4	1	
14	4466	Wire steering grommet and ring	1	

UNLESS OTHERWISE SPECIFIED: DIMENSIONS ARE IN MILLIMETERS		FINISH:		DEBUR AND BREAK SHARP EDGES		DO NOT SCALE DRAWING		REVISION	
SURFACE FINISH:									
TOLERANCES:									
LINEAR:									
ANGULAR:									
DRAWN	NAME	SIGNATURE	DATE			TITLE: Silver Line S370NL			
CHK'D			05.07.2012						
APPV'D									
MFG									
Q.A					MATERIAL:	ITEM: 1032		A3	
					WEIGHT:	SCALE:1:15		SHEET 3 OF 3	

PROPORIETARY AND CONFIDENTIAL THE INFORMATION CONTAINED IN THIS DRAWING IS THE SOLE PROPERTY OF GRAND MARINE CORPORATION. ANY REPRODUCTION IN PART OR AS A WHOLE WITHOUT THE WRITTEN PERMISSION OF GRAND MARINE CORPORATION IS PROHIBITED