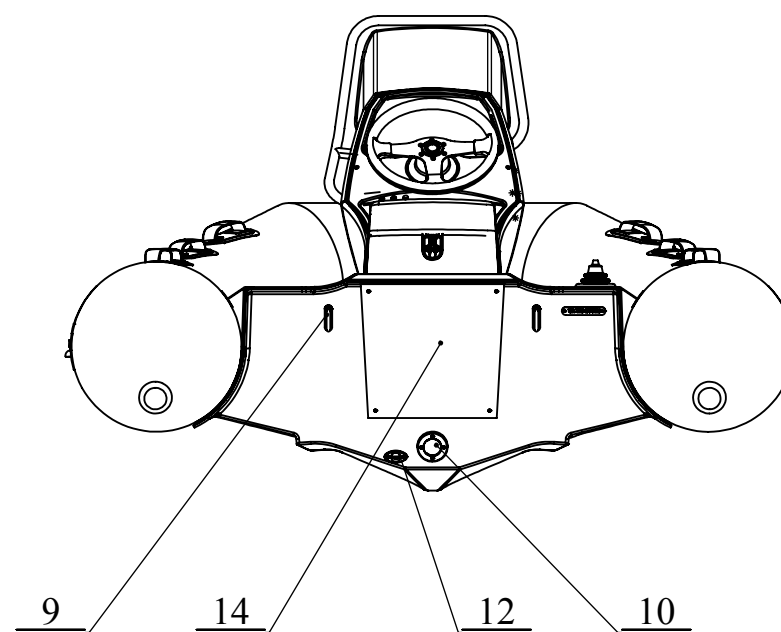
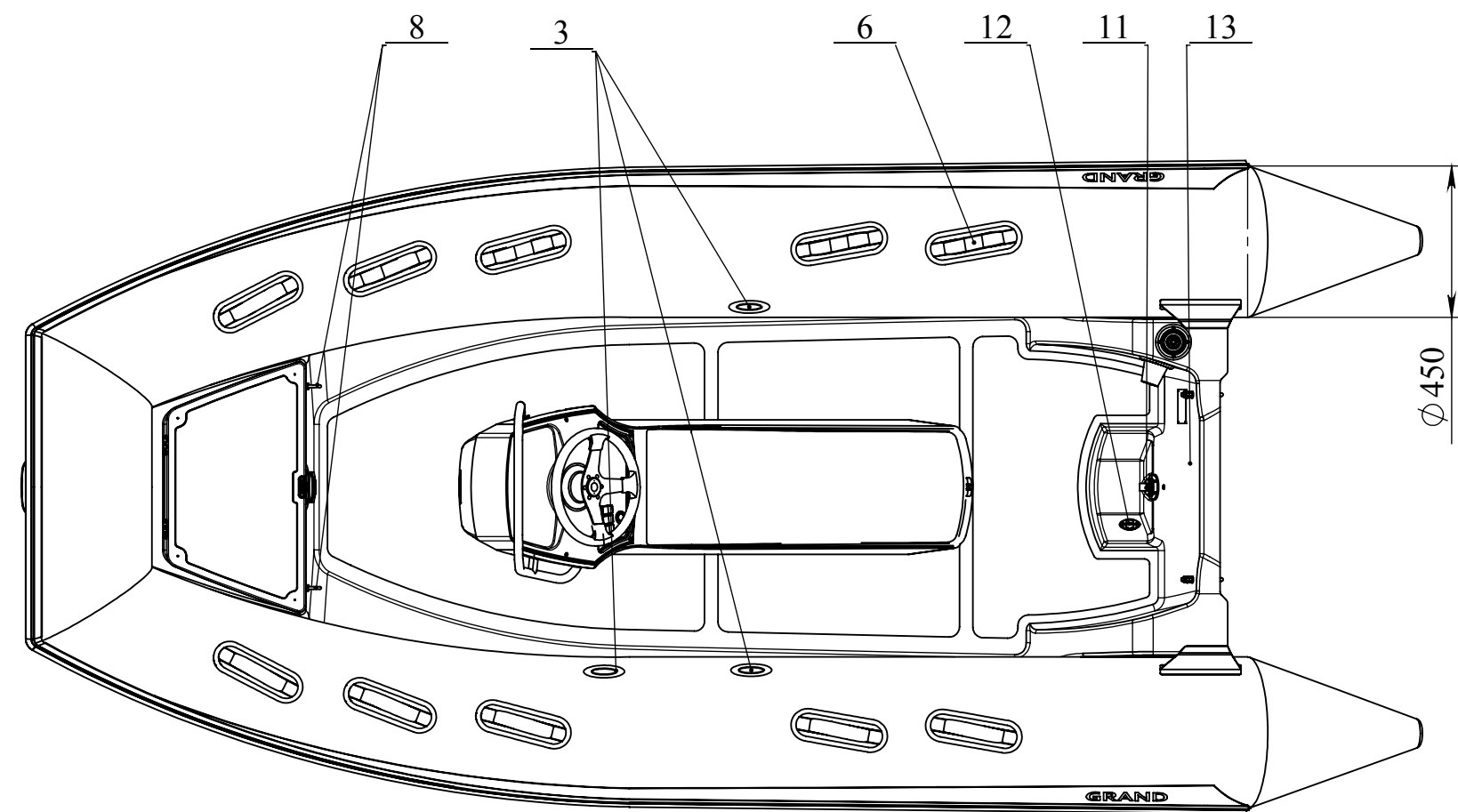
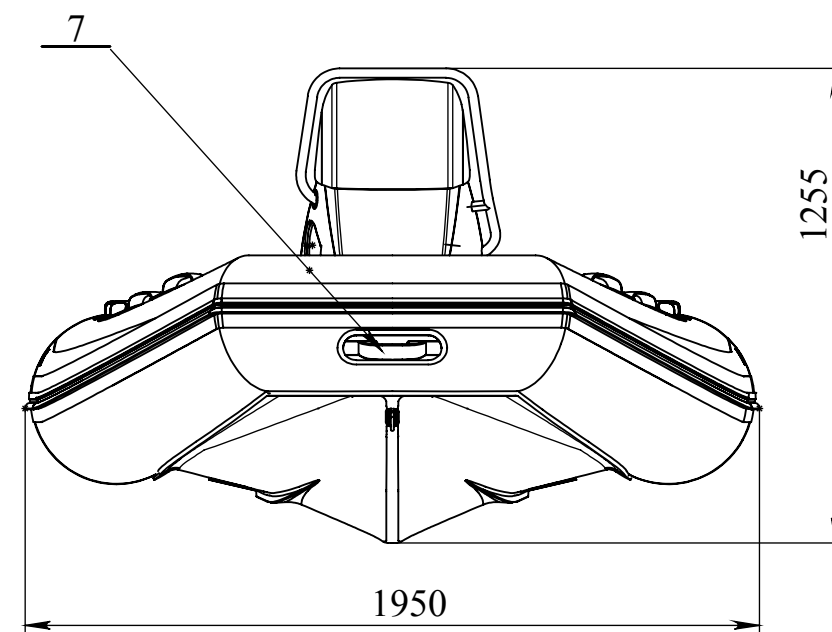
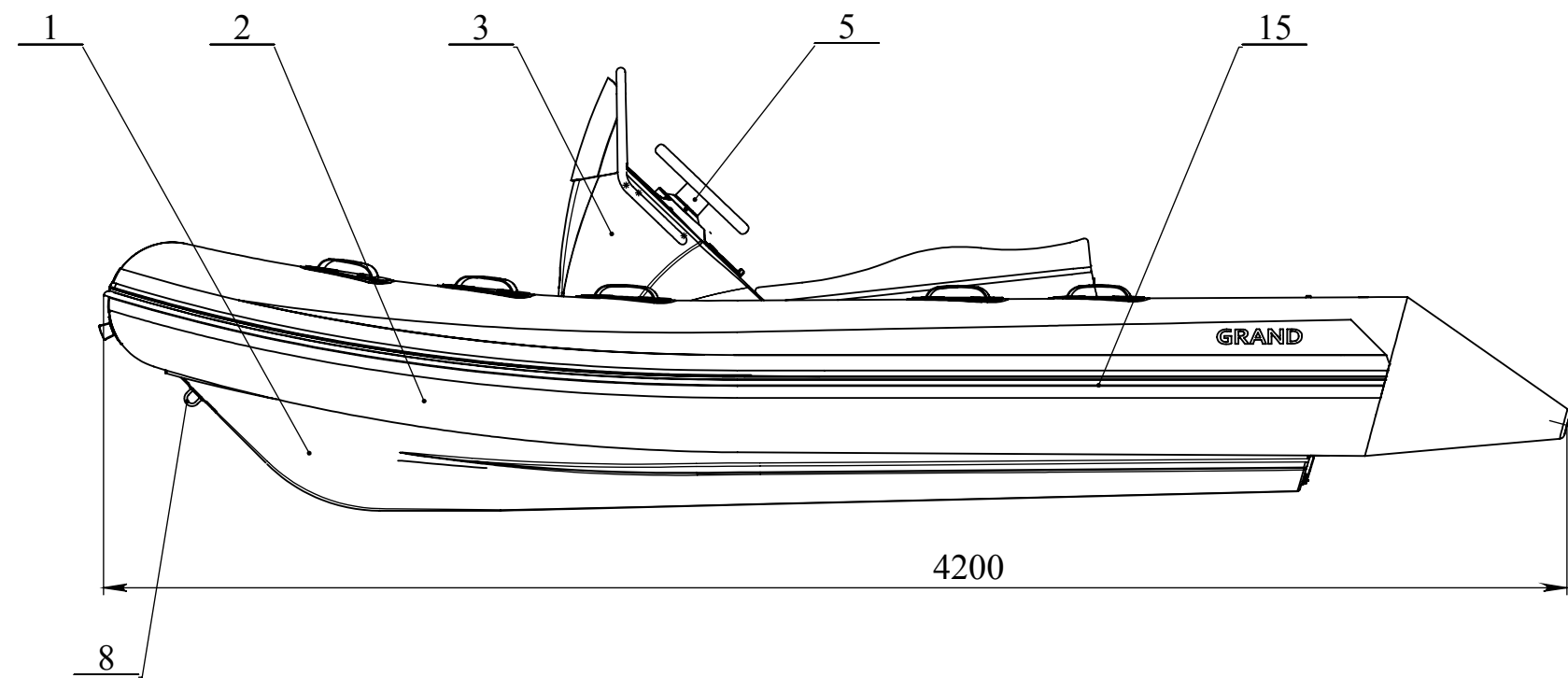


Item	Item No	Description	Q-ty	Note
1	4331	Fiberglass hull for S420NL	1	
2	2337	Bow locker removable cushion S420N	1	
3	4233	Inflatable tube for S420N	1	
4	4139	Inflation-deflation valve BRAVO-2005	3	
5	2219	Steering console CL-11	1	
6	2309	Double seat SD-06 with stowage and back	1	
7	2253	Steering system for engines till 50HP + cabel 11'	1	
8	425002	PVC handle grey /dark grey insertion	10	
9	4250	PVC handle grey / grey insertion	1	
10	4403	U-bolt M8x100	3	
11	4401	U-bolt M10x120	2	
12	4447	Drain valve, 50 mm	1	
13	4441	Expanded drain plug 42 mm	1	
14	4442	Drain through-hull with plug	2	
15	4424	Motor plate external No5	1	
16	4264	Rubbing strake, 100 mm	8,5 M	

UNLESS OTHERWISE SPECIFIED: DIMENSIONS ARE IN MILLIMETERS SURFACE FINISH: TOLERANCES: LINEAR: ANGULAR:		FINISH:	DEBUR AND BREAK SHARP EDGES		DO NOT SCALE DRAWING	REVISION
NAME	SIGNATURE	DATE	TITLE:			
DRAWN: Drobyazko		05.07.2012	Silver line S420N			
CHK'D: Borodin						
APP'VD: Grebenikov						
MFG			MATERIAL:		ITEM:	A3
Q.A			WEIGHT:		SCALE:1:20	SHEET 1 OF 1

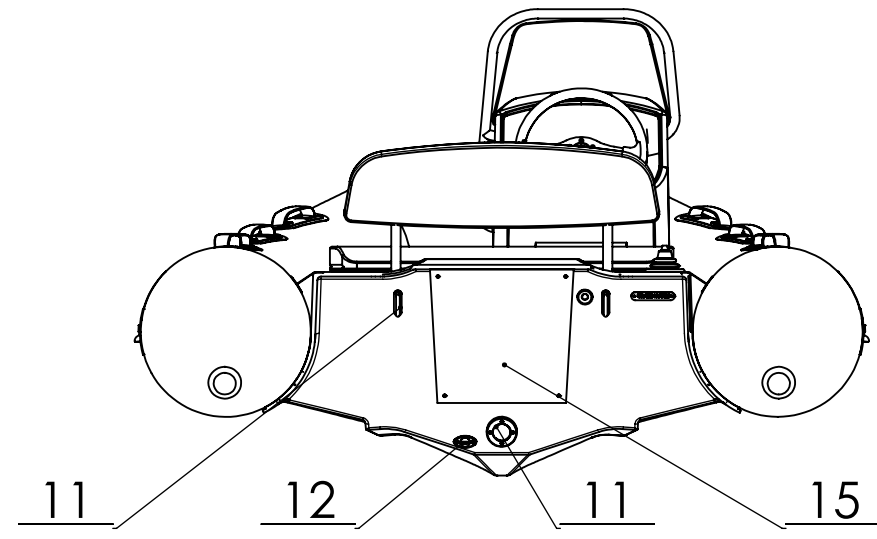
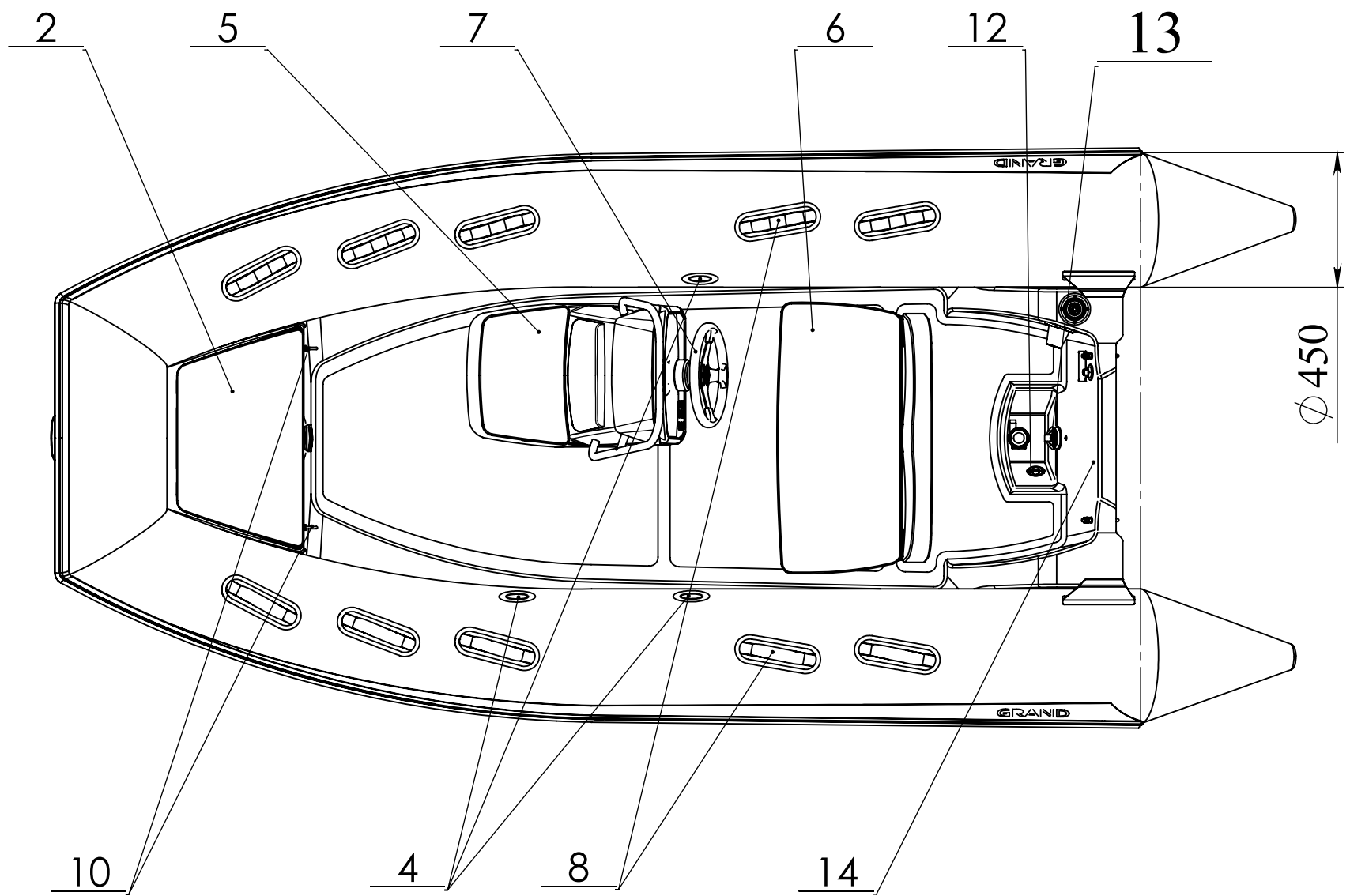
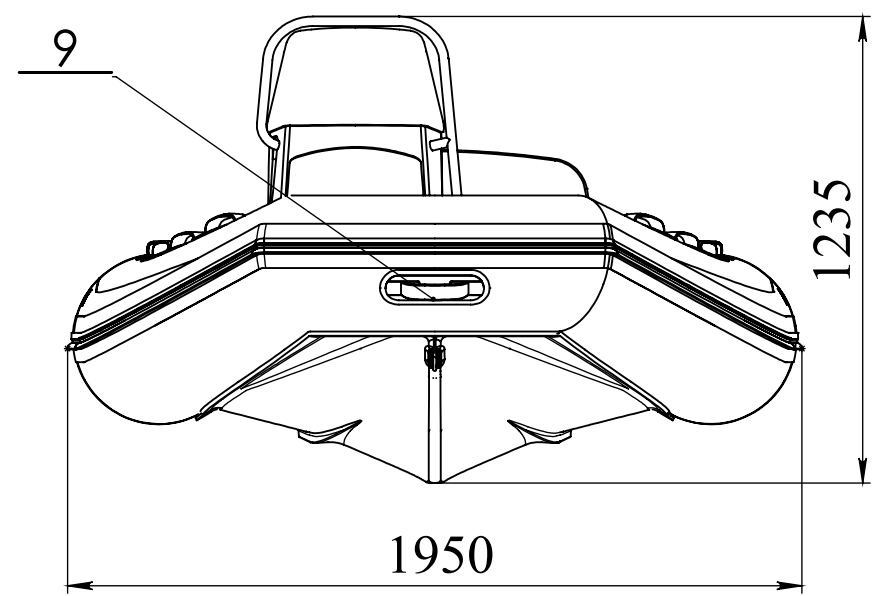
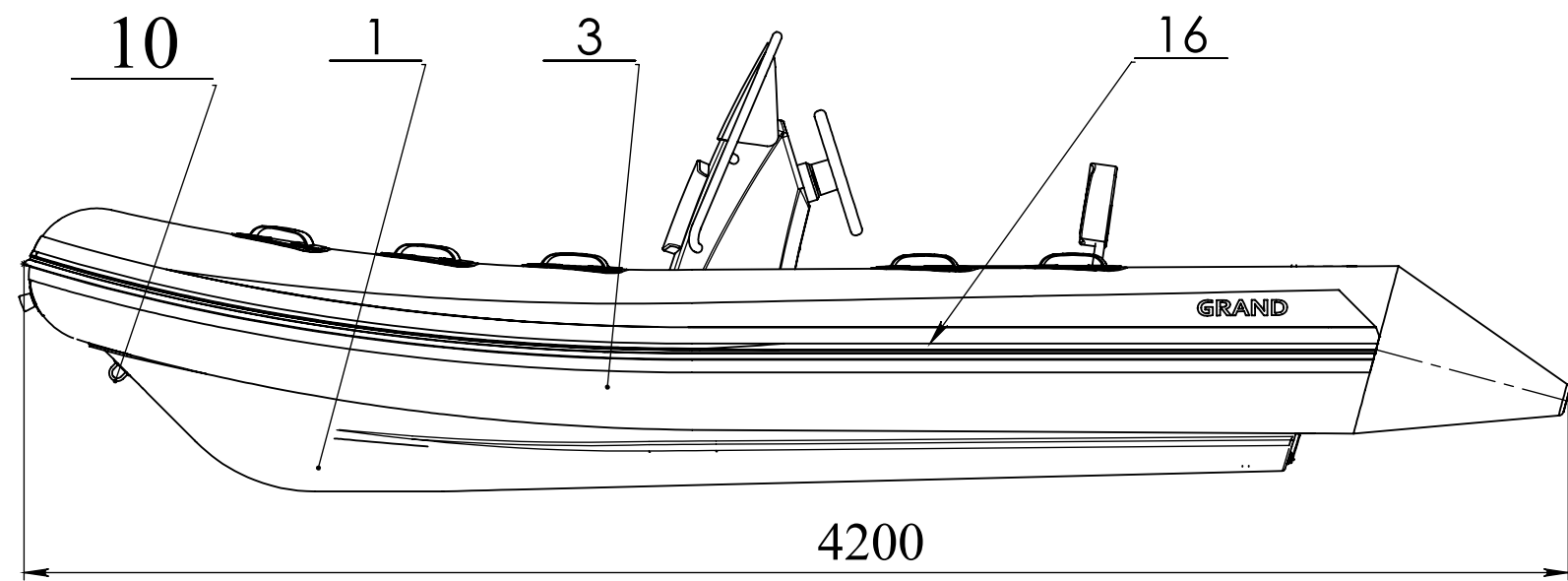
PROPOETARY AND CONFIDENTAL THE INFORMATION CONTAINED IN THIS DRAWING IS THE SOLE PROPERTY OF GRAND MARINE CORPORATION. ANY REPRODUCTION IN PART OR AS A WHOLE WITHOUT THE WRITTEN PERMISSION OF GRAND MARINE CORPARATION IS PROHIBITED



Item	Item No	Description	Q-ty	Note
1	4331	Fiberglass hull for S420NL (assembly)	1	
2	4233	Inflatable tube for S420N	1	
3	4139	Inflation-deflation valve BRAVO-2005	3	
4	2216	Steering console CS-03	1	
5	2253	Steering system for engines till 50HP + cabel 11'	1	
6	425002	PVC handle grey /dark grey insertion	10	
7	4250	PVC handle grey / grey insertion	1	
8	4403	U-bolt M8x100	3	
9	4401	U-bolt M10x120	2	
10	4447	Drain valve, 50 mm	1	
11	4441	Expanded drain plug 42 mm	1	
12	4442	Drain socket 20 mm	2	
13	4411	Motor plate internal 270x98	1	
14	4424	Motor plate external No5	1	
15	4264	Rubbing strake, 100 mm	8.5 M	

UNLESS OTHERWISE SPECIFIED: DIMENSIONS ARE IN MILLIMETERS		FINISH:		DEBUR AND BREAK SHARP EDGES		DO NOT SCALE DRAWING		REVISION	
SURFACE FINISH:									
TOLERANCES:									
LINEAR:									
ANGULAR:									
DRAWN: Drobyazko		SIGNATURE		DATE		TITLE: Silver line S420NS			
CHK'D: Borodin						General View			
APP'VD: Grebenikov						ITEM: 1141		A3	
MFG:						MATERIAL:			
Q.A:						WEIGHT:		SCALE:1:20 SHEET 1 OF 1	

PROPOETARY AND CONFIDENTIAL THE INFORMATION CONTAINED IN THIS DRAWING IS THE SOLE PROPERTY OF GRAND MARINE CORPORATION. ANY REPRODUCTION IN PART OR AS A WHOLE WITHOUT THE WRITTEN PERMISSION OF GRAND MARINE CORPARATION IS PROHIBITED



Item	Item No	Description	Q-ty	Note
1	4331	Fiberglass hull for S420NL (assembly)	1	
2	2337	Bow locker removable cushion S420N	1	
3	4233	Inflatable tube for S420N	1	
4	4139	Inflation-deflation valve BRAVO-2005	3	
5	2219	Steering console CL-11	1	
6	2309	Double seat SD-06 with stowage and back	1	
7	2253	Steering system for engines till 50HP + cabel 11'	1	
8	425002	PVC handle grey /dark grey insertion	10	
9	4250	PVC handle grey / grey insertion	1	
10	4403	U-bolt M8x100	3	
11	4401	U-bolt M10x120	2	
11	4447	Drain valve, 50 mm	1	
12	4441	Expanded drain plug 42 mm	1	
13	4442	Drain socket 20 mm	2	
14	4411	Motor plate internal 270x98	1	
15	4424	Motor plate external No5	1	
16	4264	Rubbing strake, 100 mm	8,5 M	

UNLESS OTHERWISE SPECIFIED: DIMENSIONS ARE IN MILLIMETERS SURFACE FINISH: TOLERANCES: LINEAR: ANGULAR:		FINISH:	DEBUR AND BREAK SHARP EDGES		DO NOT SCALE DRAWING	REVISION
DRAWN:	NAME	SIGNATURE	DATE		TITLE: Silver line S420NL	
CHK'D:	Borodin		05.07.2012		General View	
APP'VD:	Grebenikov				ITEM: 1142	
MFG:				MATERIAL:	A3	
Q.A:				WEIGHT:	SCALE:1:20 SHEET 1 OF 1	

PROPOETARY AND CONFIDENTAL THE INFORMATION CONTAINED IN THIS DRAWING IS THE SOLE PROPERTY OF GRAND MARINE CORPORATION. ANY REPRODUCTION IN PART OR AS A WHOLE WITHOUT THE WRITTEN PERMISSION OF GRAND MARINE CORPARATION IS PROHIBITED