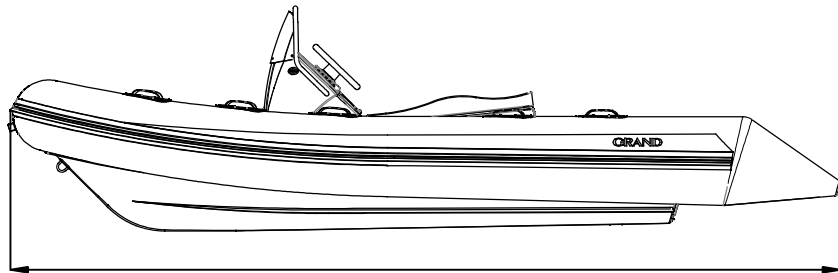


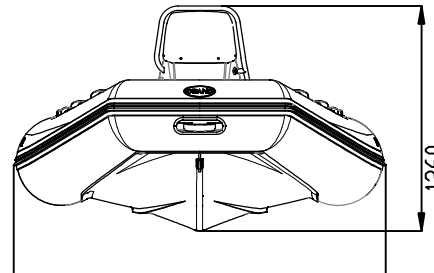
Item	Item No	Description	Q-ty	Note
1		Fiberglass hull for S470N (assembly)	1	
2	4233	Inflatable tube for S470N	1	
3	4139	Inflation-deflation valve BRAVO-2005	5	
4	425002	PVC handle grey /dark grey insertion	10	
5	4250	PVC handle grey / grey insertion	1	
6	4403	U-bolt M8x100	3	
7	4401	U-bolt M10x120	2	
8	4447	Drain valve, 50 mm	1	
9	4441	Expanded drain plug 42 mm	1	
10	4442	Drain through-hull with plug	2	
11	4424	Motor plate external No5	1	
12	4264	Rubbing stripe, 100 mm	9,5 M	

UNLESS OTHERWISE SPECIFIED: DIMENSIONS ARE IN MILLIMETERS SURFACE FINISH: TOLERANCES: LINEAR: ANGULAR:		FINISH:	BEVEL AND BREAK SHARP EDGES		DO NOT SCALE DRAWING	REVISION
DRAWN	NAME	SIGNATURE	DATE	TITLE:		
CHK'D	Drobnyzko		05.07.2012	Silver Line S470NS		
APP'VD	Fedishin			ITEM: 1150		
REG	Grebenkov			A3		
QA				MATERIAL:	SCALE:1:100	SHEET 1 OF 1
				WEIGHT:		

PROPRIETARY AND CONFIDENTIAL THE INFORMATION CONTAINED IN THIS DRAWING IS THE SOLE PROPERTY OF GRAND MARINE CORPORATION. ANY REPRODUCTION IN PART OR AS A WHOLE WITHOUT THE WRITTEN PERMISSION OF GRAND MARINE CORPORATION IS PROHIBITED

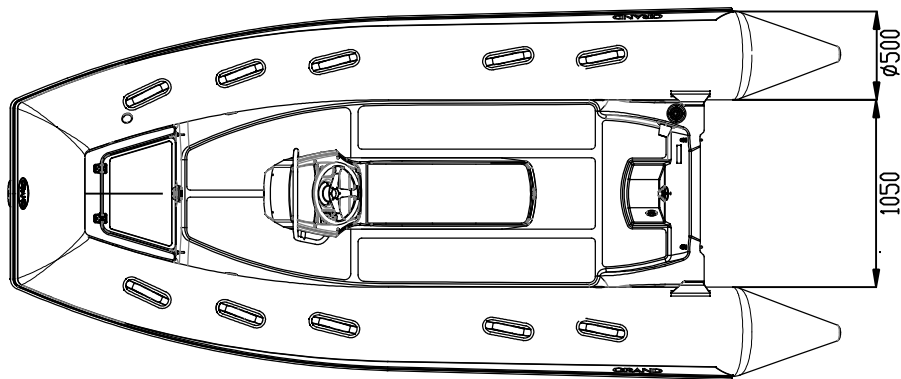


4700



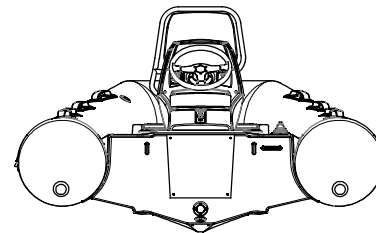
2100

1260



500

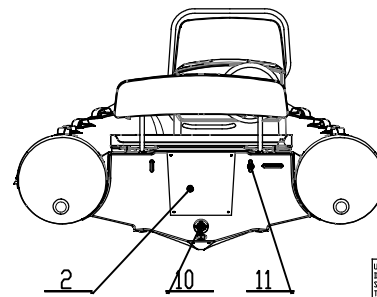
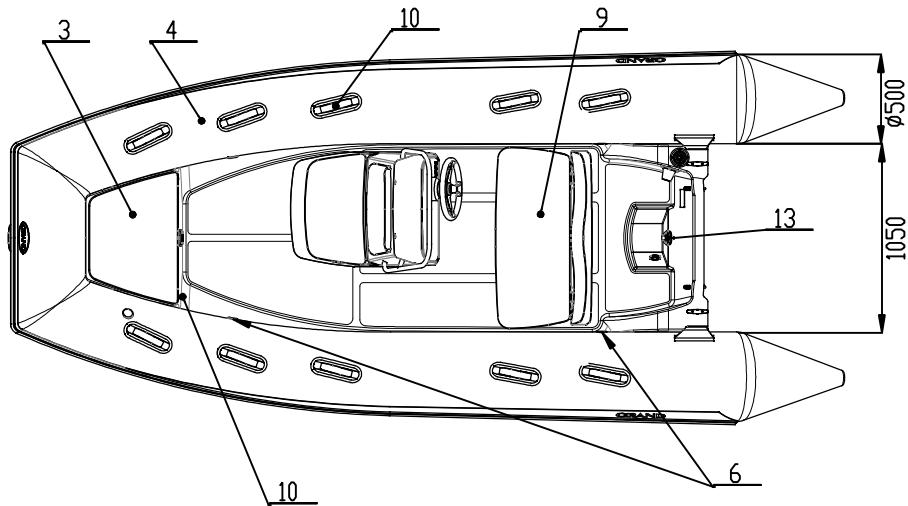
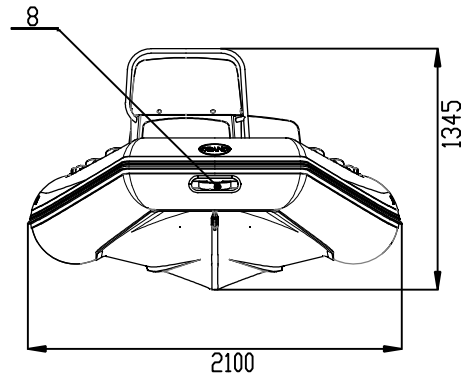
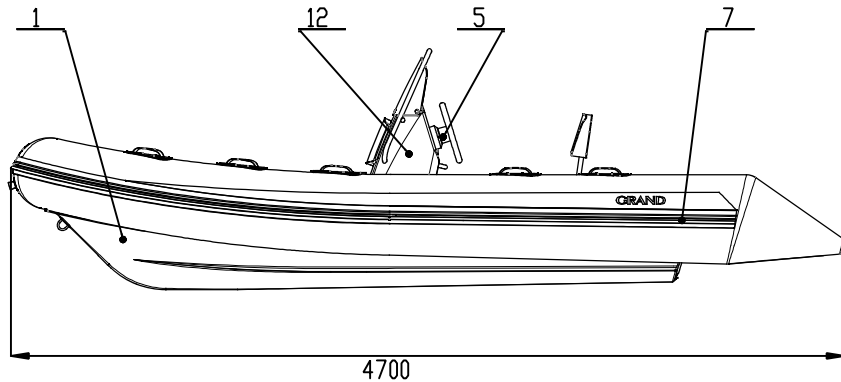
1050



Item	Item No	Description	Q-ty	Note
1		Fiberglass hull for S470N (assembly)	1	
2	4233	Inflatable tube for S470N	1	
3	4139	Inflation-deflation valve BRAVO-2005	5	
4	425002	PVC handle grey / dark grey insertion	10	
5	4250	PVC handle grey / grey insertion	1	
6	4403	U-bolt M8x100	3	
7	4401	U-bolt M10x120	2	
8	4447	Drain valve, 50 mm	1	
9	4441	Expanded drain plug 42 mm	1	
10	4442	Drain through-hull with plug	2	
11	4424	Motor plate external No5	1	
12	4264	Rubbing strake, 100 mm	9,5	M

UNLESS OTHERWISE SPECIFIED DIMENSIONS ARE IN MILLIMETERS		FINISH		DO NOT SCALE DRAWING		REVISION	
SURFACE FINISH							
TOLERANCES:							
LINEAR:							
ANGULAR:							
DRANK	NAME	SIGNATURE	DATE	TITLE			
CHT/D	Dobryazko		25.07.2012	Silver Line S470NS			
PPV/D	Borodin						
	Grebenskov						
MFG				ITEM		A3	
QA				1151			
				SCALE:00		SHEET 1 OF 1	
				WEIGHT:			

PROPRIETARY AND CONFIDENTIAL THE INFORMATION CONTAINED IN THIS DRAWING IS THE SOLE PROPERTY OF GRAND MARINE CORPORATION ANY REPRODUCTION IN PART OR AS A WHOLE WITHOUT THE WRITTEN PERMISSION OF GRAND MARINE CORPORATION IS PROHIBITED



Item	Item No	Description	Q-ty	Note
1		Fiberglass hull for S470N (assembly)	1	
2	4233	Inflatable tube for S470N	1	
3	4139	Inflation-deflation valve BRAVO-2005	5	
4	425002	PVC handle grey /dark grey insertion	10	
5	4250	PVC handle grey / grey insertion	1	
6	4403	U-bolt M8x100	3	
7	4401	U-bolt M10x120	2	
8	4447	Drain valve, 50 mm	1	
9	4441	Expanded drain plug 42 mm	1	
10	4442	Drain through-hull with plug	2	
11	4424	Motor plate external No5	1	
12	4264	Rubbing strake, 100 mm	9,5	M

UNLESS OTHERWISE SPECIFIED DIMENSIONS ARE IN MILLIMETERS SURFACE FINISH TOLERANCES LINEAR ANGULAR		FINISH	DEBUR AND BREAK SHARP EDGES	DO NOT SCALE DRAWING	REVISION
DRAWN	NAME	SIGNATURE	DATE	TITLE:	
CHEK	<b>Drobyszko</b>		05.07.2012	Silver Line S470NL	
APPRV'D	<b>Fedishin</b>			ITEM	1152
MFC	<b>Grebenikov</b>				A3
DA				SCALE: A0	SHEET 1 OF 1

PROPRIETARY AND CONFIDENTIAL THE INFORMATION CONTAINED IN THIS DRAWING IS THE SOLE PROPERTY OF GRAND MARINE CORPORATION. ANY REPRODUCTION IN PART OR AS A WHOLE WITHOUT THE WRITTEN PERMISSION OF GRAND MARINE CORPORATION IS PROHIBITED.