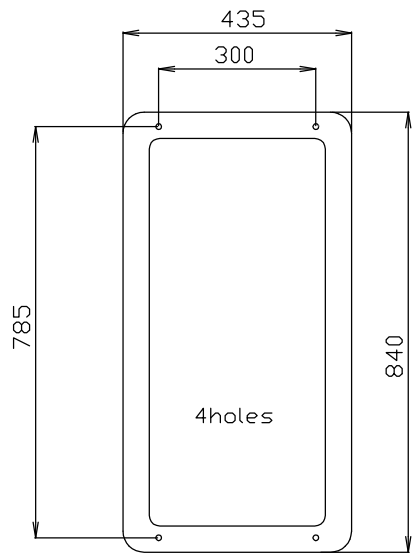
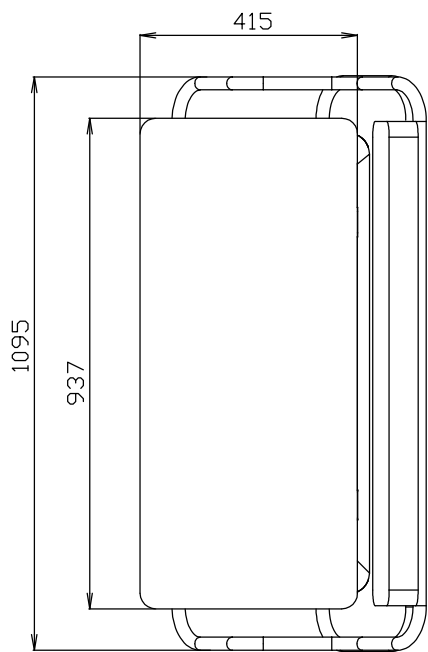


↑ A

View A



Zone	Item	Designation	Denomination	Qty	Remark
	1	42011W	Fiberglass container body	1	
	2	54013	Handrail	1	
	3	54014	Rear railing	1	
	4	4634	Seat back	1	
	5	4635	Removable seat	1	
	6	52069	Seat base	1	

UNLESS OTHERWISE SPECIFIED: DIMENSIONS ARE IN MILLIMETERS SURFACE FINISH: TOLERANCES: LINEAR: ANGULAR:		FINISH:		DEBUR AND BREAK SHARP EDGES		DO NOT SCALE DRAWING		REVISION	
DRAWN	NAME	SIGNATURE	DATE						
ZHC'D	Borodin		30.10.12						
APP'VD	Drobyazko								
MFG	Grebennikov								
QA					MATERIAL:				
					WEIGHT:	-	SCALE:1:1		

PROPRIETARY AND CONFIDENTIAL
THE INFORMATION CONTAINED IN THIS
DRAWING IS THE SOLE PROPERTY OF
GRAND MARINE CORPORATION. ANY
REPRODUCTION IN PART OR AS A WHOLE
WITHOUT THE WRITTEN PERMISSION OF
«GRAND MARINE CORPORATION» IS
PROHIBITED.

Double seat SD-01

2301

A2

SHEET 1 OF 1