

DIMENSION (cm)

Length overall	300
Length internal	200
Width overall	167
Width internal	78
Engine max (HP)	15
Engine recommended (HP)	10

CAPACITY

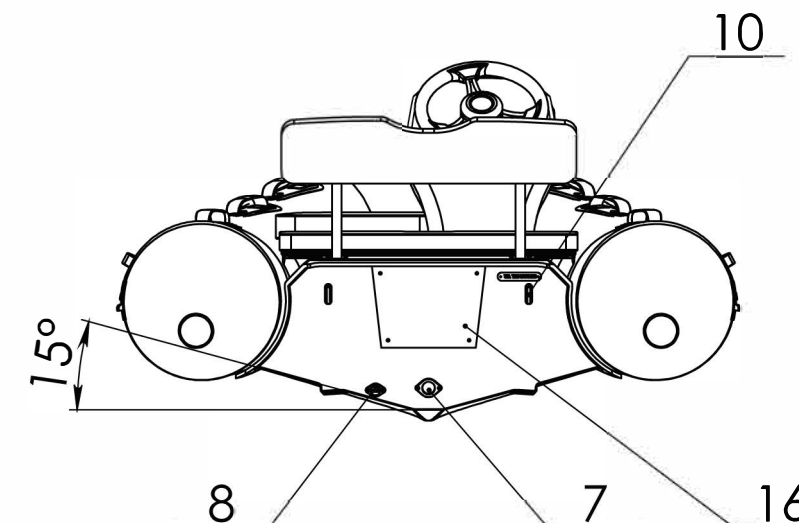
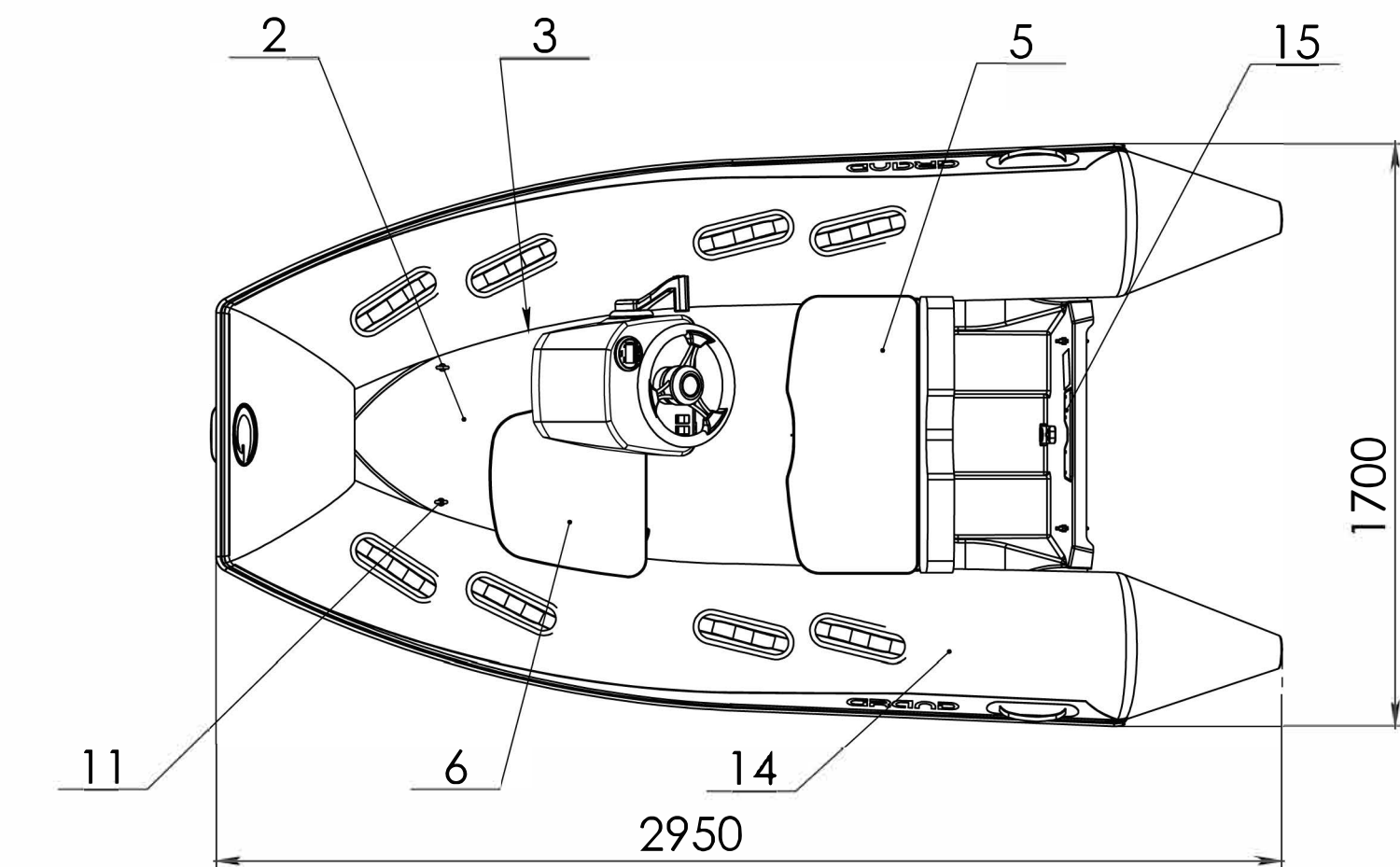
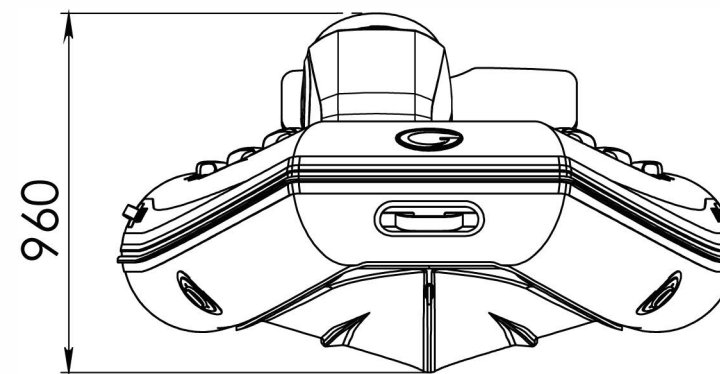
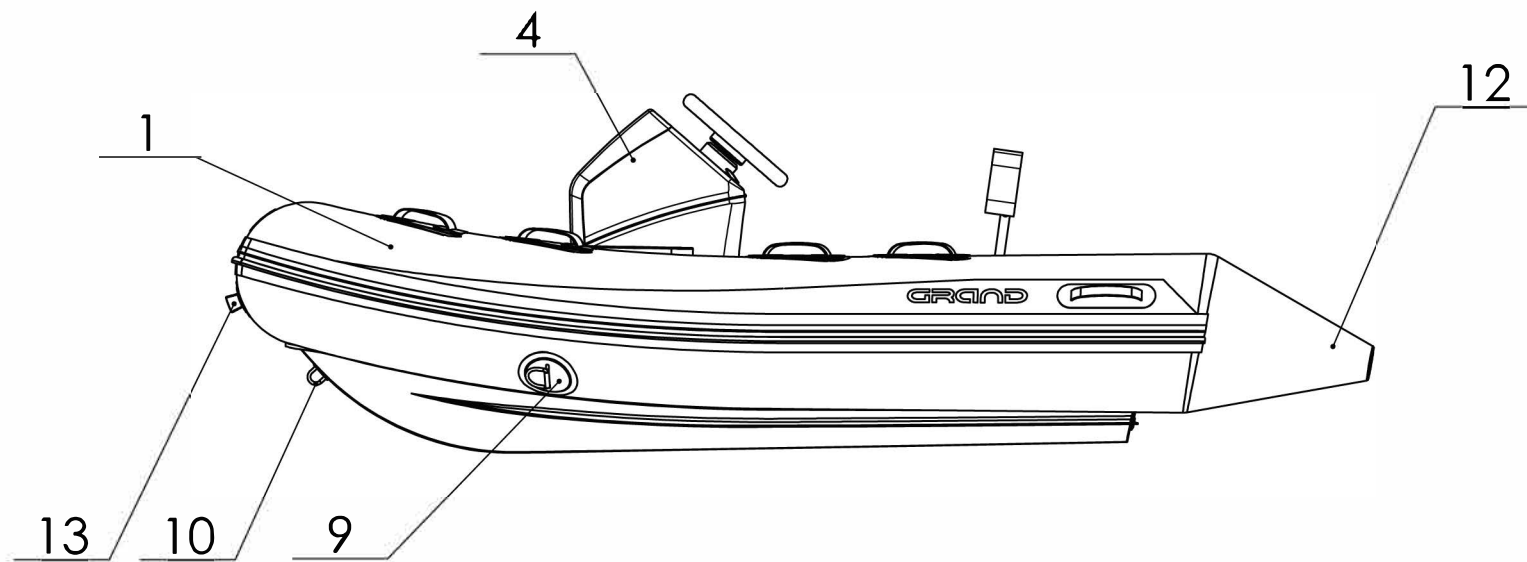
Passengers capacity	4
Max loading capacity (kg)	520
Boat weight (kg)	56

TUBE

Tube diameter (cm)	43
No of chambers	3
Tube volume (m*3)	0.77

Item	Item No	Description	Q-ty	Note
1	4205	Inflatable tube for S300	1	
2	4303	Fiberglass hull for S300	1	
3	4139	Inflation-deflation valve BRAVO-2005	3	
4	4501	Wooden seat №1 white	1	
5	4503	Wooden seat №2 white	1	
6	4448	Pull up drain valve	1	
7	4442	Drain through-hull with plug		
8	4259	Towing eye, PVC	2	
9	4403	U-bolt M8x100	3	
10		Front lifting eye	1	
11	4264	Rubbing strake, 100 mm	6.6 m	
12	4254	Wooden seat holder №1	2	
13	4262	Oarlock	2	
14	4256	Oar holder	2	
15	4102	Oar 160 cm with rivert	2	
16	4250	PVC handle grey / grey insertion	1	
17	425002	PVC handle grey /dark grey insertion	8	
18	4410	Motor plate internal 230x86	1	
19	4420	Motor plate external No1	1	
20		Rear handle	2	

UNLESS OTHERWISE SPECIFIED: DIMENSIONS ARE IN MILLIMETERS		FINISH:		DEBUR AND BREAK SHARP EDGES		DO NOT SCALE DRAWING		REVISION	
SURFACE FINISH:									
TOLERANCES:									
LINEAR:									
ANGULAR:									
NAME	SIGNATURE	DATE				TITLE:			
DRAWN: Kruglyak		22.12.17				Silver Line S300			
CHK'D: Fedishin									
APP'VD:									
MFG:									
Q.A.						MATERIAL:	ITEM:		
							1020		A3
						WEIGHT:	SCALE:1:15		SHEET 1 OF 2



Item	Item No	Description	Q-ty	Note
1	4205	Inflatable tube for S300	1	
2		Fiberglass hull for S300	1	
3	4139	Inflation-deflation valve BRAVO-2005	3	
4	2224	Steering console CL-17	1	
5	2312	Doble seat SD-12 Double seat SD-12 with stowage and back	1	
6	2313	Console seat SD-14 with access door	1	
7	4448	Pull up drain valve	1	
8	4442	Drain through-hull with plug		
9	4259	Towing eye, PVC	2	
10	4403	U-bolt M8x100	3	
11		Front lifting eye	1	
12	4264	Rubbing strake, 100 mm	6.6 m	
13	4250	PVC handle grey / grey insertion	1	
14	425002	PVC handle grey /dark grey insertion	8	
15	4410	Motor plate internal 230x86	1	
16	4420	Motor plate external No1	1	

DIMENSION (cm)

Length overall 300
 Length internal 200
 Width overall 167
 Width internal 78

Engine max (HP) 15
 Engine recommended (HP) 15

CAPACITY

Passengers capacity 4
 Max loading capacity (kg) 520
 Boat weight (kg) 77.4

TUBE

Tube diameter (cm) 43
 No of chambers 3
 Tube volume (m*3) 0.77

UNLESS OTHERWISE SPECIFIED: DIMENSIONS ARE IN MILLIMETERS		FINISH:		DEBUR AND BREAK SHARP EDGES		DO NOT SCALE DRAWING		REVISION	
SURFACE FINISH:									
TOLERANCES:									
LINEAR:									
ANGULAR:									
NAME	SIGNATURE	DATE				TITLE:			
DRAWN: Kruglyak		22.12.17				S300L. General View			
CHK'D:									
APP'VD:									
MFG:									
Q.A						MATERIAL:	ITEM:		A3
							1032		
						WEIGHT:	SCALE:1:20		SHEET 1 OF 1

