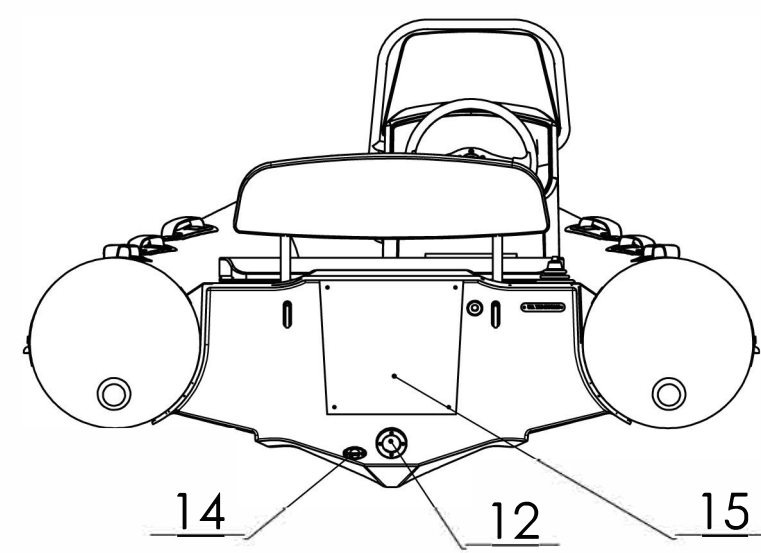
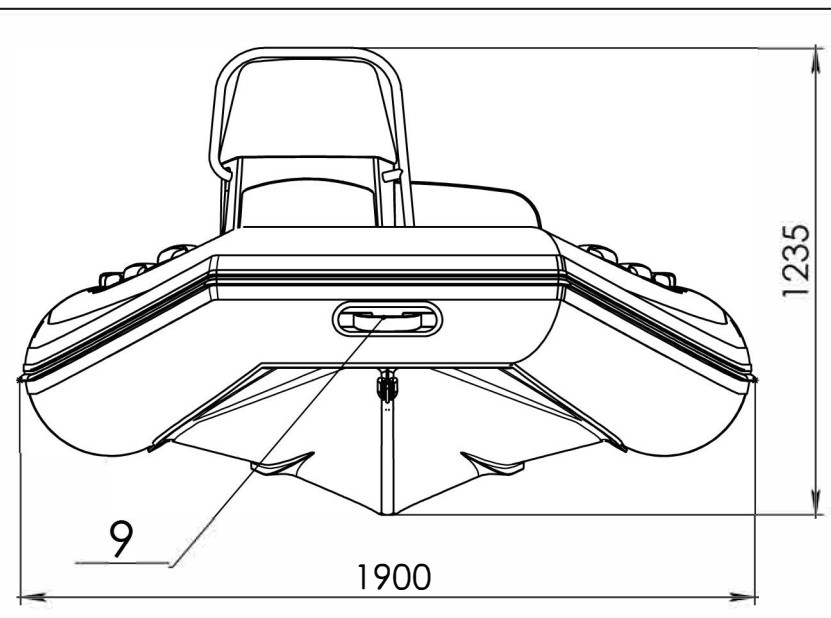
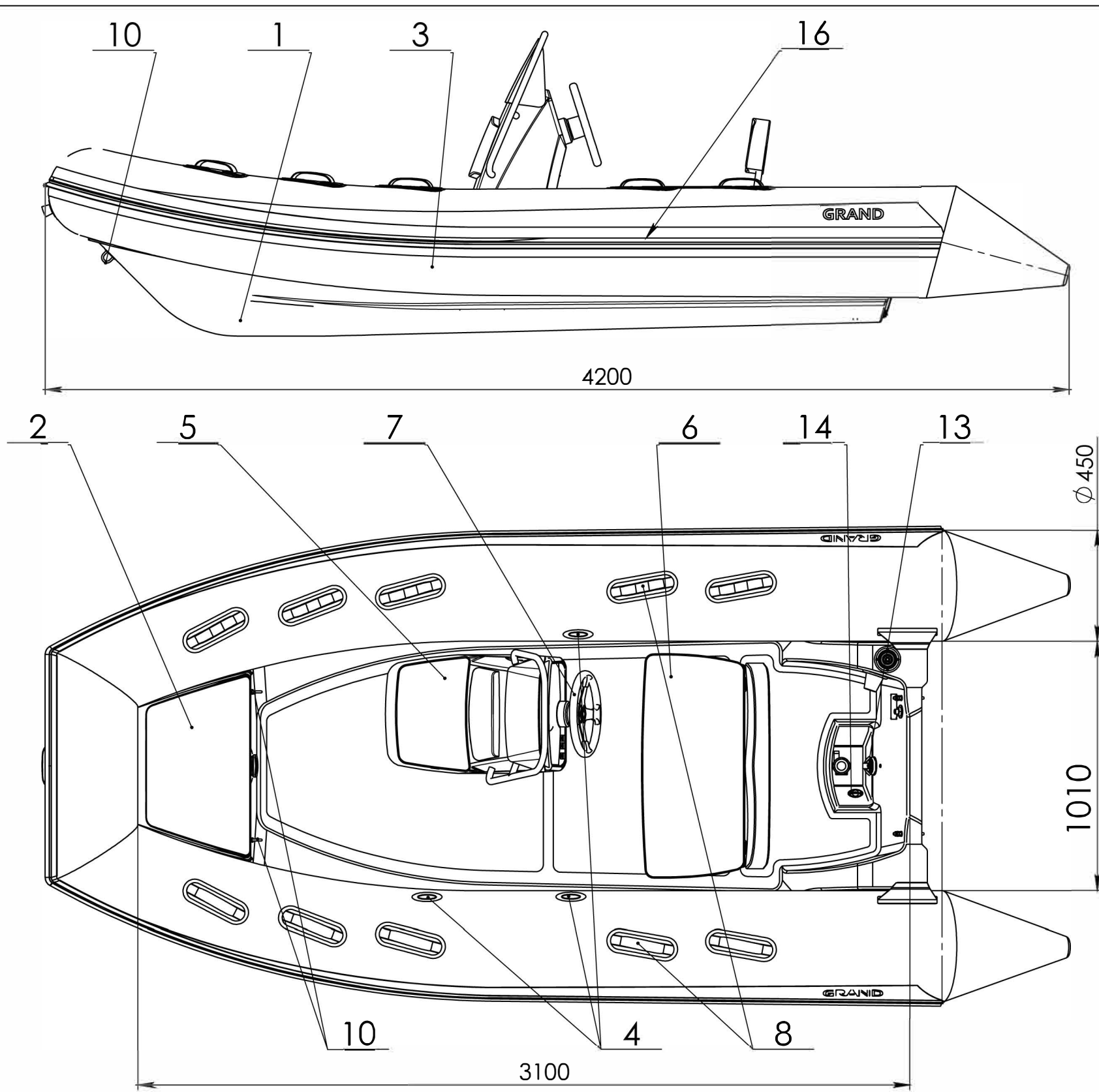


Item	Item No	Description	Q-ty	Note
1	4331	Fiberglass hull for S420NL	1	
2	2337	Bow locker removable cushion S420N	1	
3	4233	Inflatable tube for S420N	1	
4	4139	Inflation-deflation valve BRAVO-2005	3	
5	2219	Steering console CL-11	1	
6	2309	Double seat SD-06 with stowage and back	1	
7	2253	Steering system for engines till 50HP + cabel 11'	1	
8	425002	PVC handle grey /dark grey insertion	10	
9	4250	PVC handle grey / grey insertion	1	
10	4403	U-bolt M8x100	3	
11	4401	U-bolt M10x120	2	
12	4447	Drain valve, 50 mm	1	
13	4441	Expanded drain plug 42 mm	1	
14	4442	Drain through-hull with plug	2	
15	4424	Motor plate external No5	1	
16	4264	Rubbing strake, 100 mm	8,5 M	

DIMENSION (cm)		CAPACITY		TUBE	
Lenght overall	420	Passengers capacity	6	Tube diametr (cm)	46
Lenght inside	310	Max loading capacity (kg)	700	No of chambers	3
Wight overall	195				
Winght inside	101	Boat weight (kg)	115	Tube volume (m*3)	1.07
Engine max (HP)	50				
Engine recommended (HP)	40				

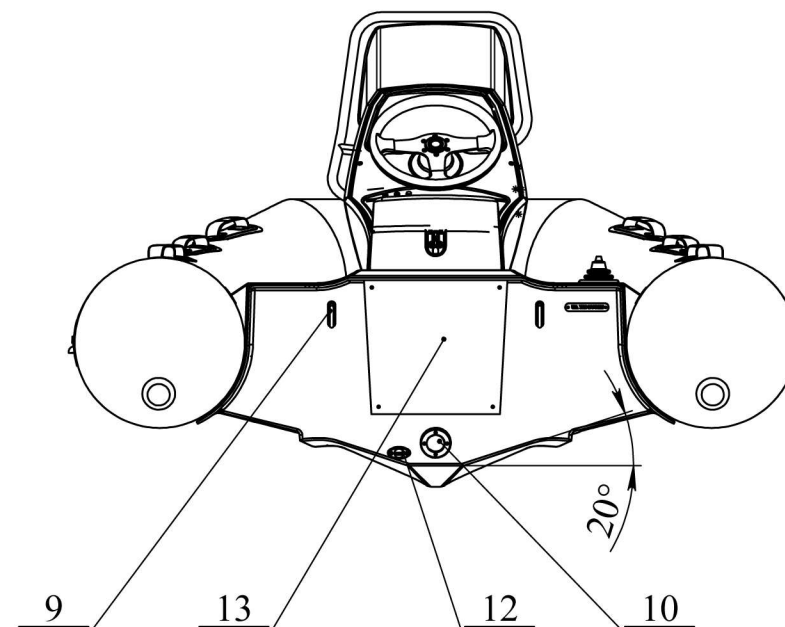
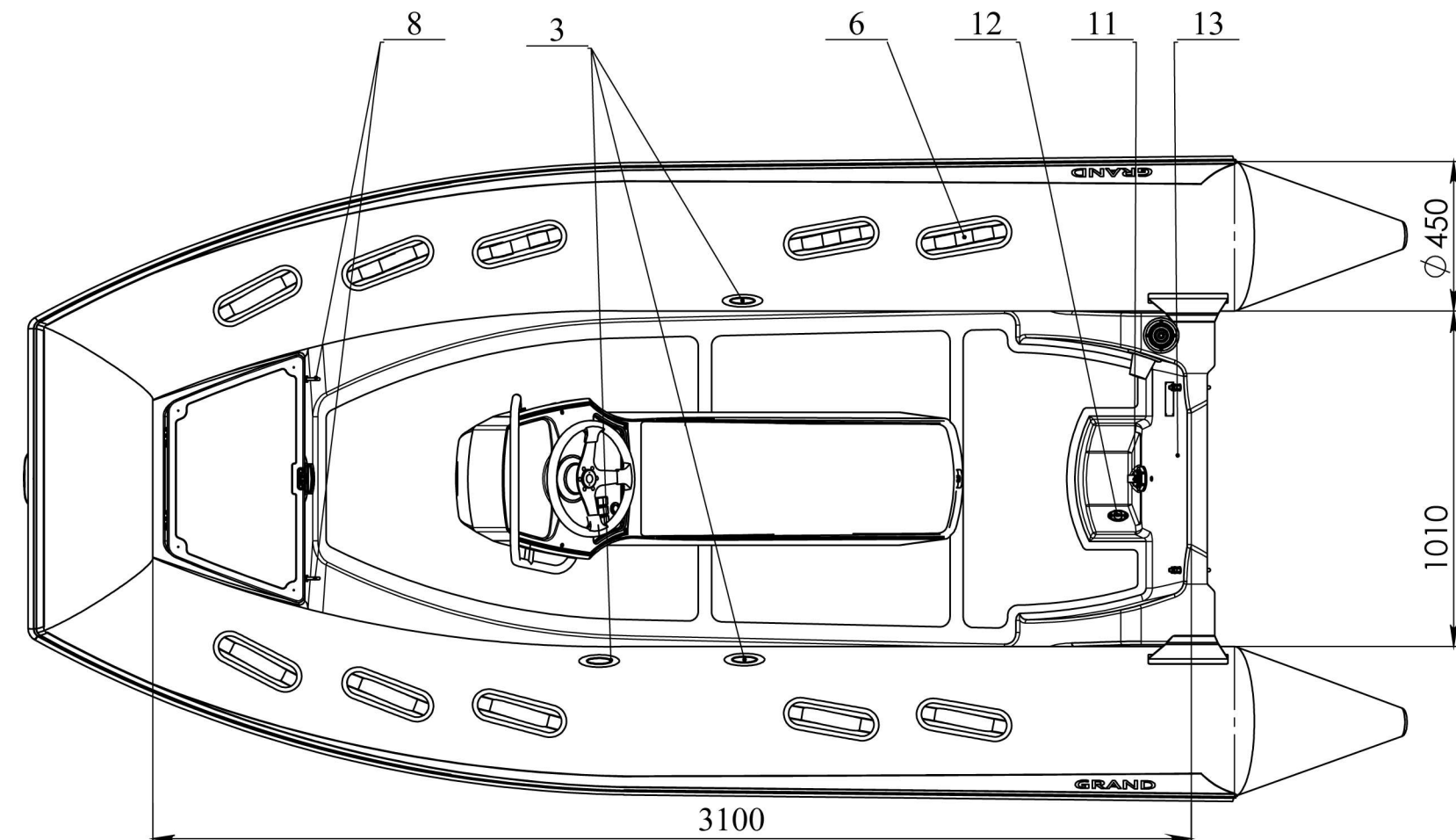
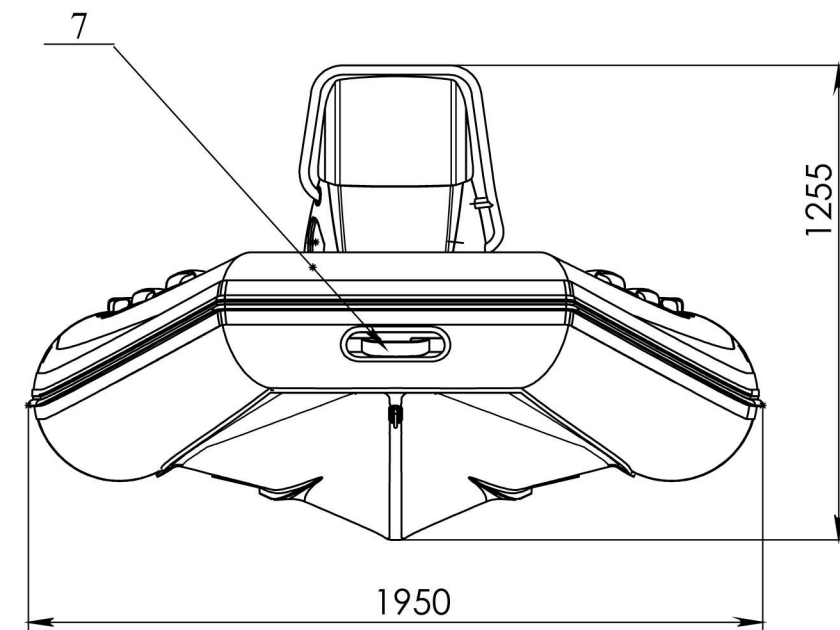
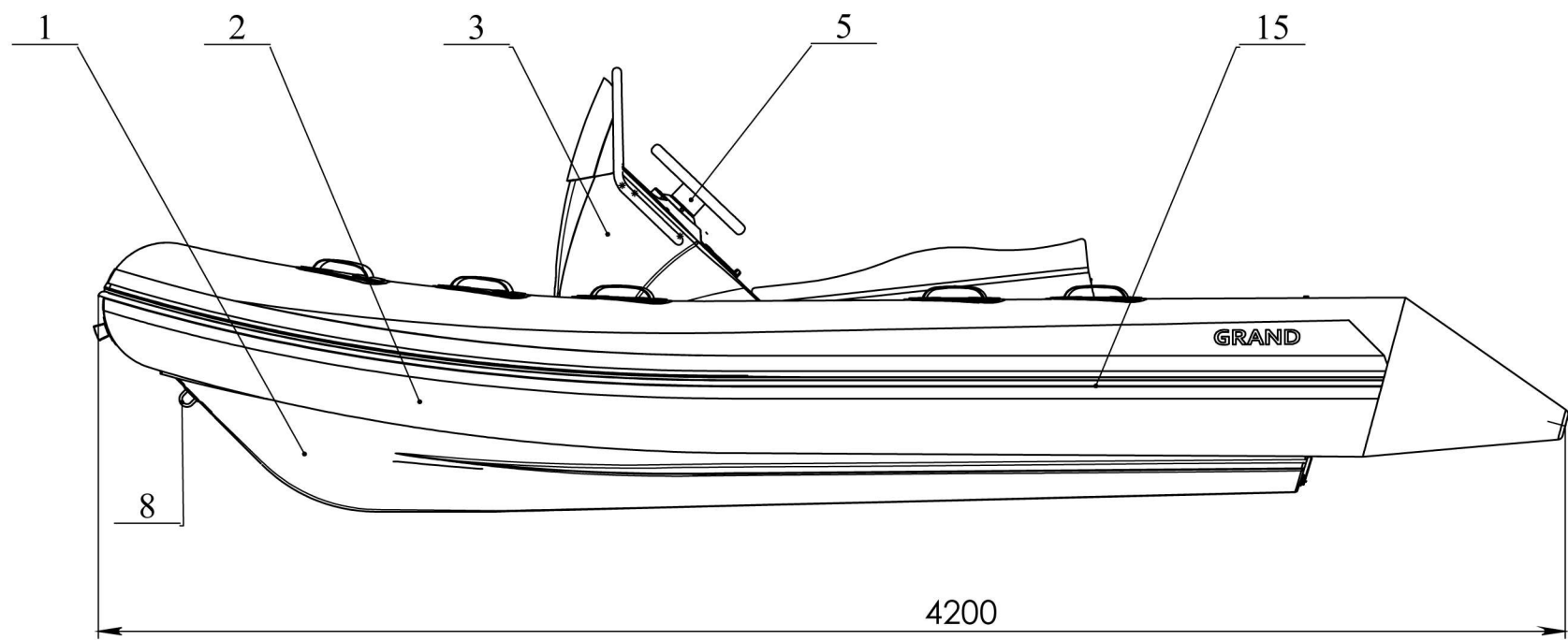
UNLESS OTHERWISE SPECIFIED: DIMENSIONS ARE IN MILLIMETERS			FINISH:		DEBUR AND BREAK SHARP EDGES		DO NOT SCALE DRAWING		REVISION		
SURFACE FINISH:											
TOLERANCES:											
LINEAR:											
ANGULAR:											
DRAWN: Kruglyak		SIGNATURE		DATE: 25.12.17						TITLE: Silver line S420N	
CHK'D: Borodin											
APP'VD: Grebenikov											
MFG:											
Q.A:						MATERIAL:		ITEM: 1140		A3	
						WEIGHT:		SCALE: 1:20		SHEET 1 OF 1	



Item	Item No	Description	Q-ty	Note
1	4331	Fiberglass hull for S420NL	1	
2	2337	Bow locker removable cushion S420N	1	
3	4233	Inflatable tube for S420N	1	
4	4139	Inflation-deflation valve BRAVO-2005	3	
5	2219	Steering console CL-11	1	
6	2309	Double seat SD-06 with stowage and back	1	
7	2253	Steering system for engines till 50HP + cabel 11'	1	
8	425002	PVC handle grey /dark grey insertion	10	
9	4250	PVC handle grey / grey insertion	1	
10	4403	U-bolt M8x100	3	
11	4401	U-bolt M10x120	2	
12	4447	Drain valve, 50 mm	1	
13	4441	Expanded drain plug 42 mm	1	
14	4442	Drain through-hull with plug	2	
15	4424	Motor plate external No5	1	
16	4264	Rubbing strake, 100 mm	8,5 M	

DIMENSION (cm)		CAPASITY		TUBE	
Length overall	420	Passengers capacity	8	Tube diameter (cm)	46
Length internal	310	Max loading capacity (kg)	650	No of chambers	3
Width overall	195				
Width internal	101	Boat weight (kg)	145	Tube volume (m*3)	1.07
Engine max (HP)	50				
Engine recommended (HP)	40				

UNLESS OTHERWISE SPECIFIED: DIMENSIONS ARE IN MILLIMETERS SURFACE FINISH: TOLERANCES: LINEAR: ANGULAR:			FINISH:		DEBUR AND BREAK SHARP EDGES		DO NOT SCALE DRAWING		REVISION		
DRAWN: Kruglyak			SIGNATURE:		DATE: 25.12.17		TITLE: Silver line S420NL				
CHK'D: Borodin											
APP'VD: Grebenikov											
MFG:											
Q.A:							MATERIAL:		ITEM: 1142		
							WEIGHT:		SCALE: 1:20 SHEET 1 OF 1		



DIMENSION (cm)

Length overall 420
 Length internal 310
 Width overall 195
 Width internal 101

CAPACITY

Passengers capacity 6
 Max loading capacity (kg) 700
 Boat weight (kg) 145

TUBE

Tube diameter (cm) 46
 No of chambers 3
 Tube volume (m*3) 1.07

Engine max (HP) 50
 Engine recommended (HP) 40

Item	Item No	Description	Q-ty	Note
1	4331	Fiberglass hull for S420NL	1	
2	4233	Inflatable tube for S420N	1	
3	4139	Inflation-deflation valve BRAVO-2005	3	
4	2216	Steering console CS-03	1	
5	2253	Steering system for engines till 50HP + cabel 11'	1	
6	425002	PVC handle grey /dark grey insertion	10	
7	4250	PVC handle grey / grey insertion	1	
8	4403	U-bolt M8x100	3	
9	4401	U-bolt M10x120	2	
10	4447	Drain valve, 50 mm	1	
11	4441	Expanded drain plug 42 mm	1	
12	4442	Drain through-hull with plug	2	
13	4424	Motor plate external No5	1	
14	4264	Rubbing strake, 100 mm	7,9 M	

UNLESS OTHERWISE SPECIFIED: DIMENSIONS ARE IN MILLIMETERS		FINISH:		DEBUR AND BREAK SHARP EDGES		DO NOT SCALE DRAWING		REVISION	
SURFACE FINISH:									
TOLERANCES:									
LINEAR:									
ANGULAR:									
DRAWN: Kruglyak		SIGNATURE		DATE		TITLE:			
CHK'D: Borodin						Silver line S420NS			
APPVD:									
MFG:									
Q.A:				MATERIAL:		DWG NO.		A3	
						1141			
				WEIGHT:		SCALE:1:20		SHEET 1 OF 1	