



**GRAND**  
INFLATABLE BOATS



***Golden Line G480***



Low-profile steering console (G480EF)



# Golden Line G480 Technical Data

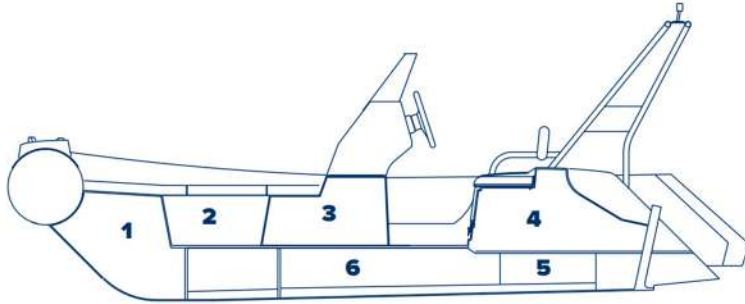
Length overall, cm .....	455
Width overall, cm .....	210
Length inside, cm .....	210
Width inside, cm .....	105
Tube diameter, cm .....	50
Bare boat weight*, kg .....	250
Transport gross weight**, kg .....	325
Loading capacity***, kg .....	900
Engine recommended, HP .....	50

Engine max***, HP .....	75
Engine weight max, kg .....	175
Engine shaft length, inch .....	20”(L)
Midsection/aft deadrise, degrees .....	20°/17°
Bottom type .....	RIB
Boat design category**** .....	D,C

**Remarks:**

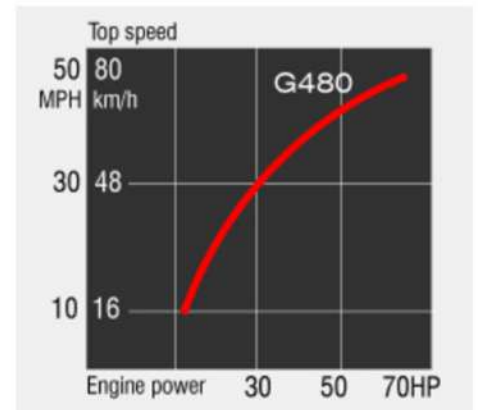
- \* - The bare boat weight is just a weight of the empty boat without any removable accessories.
- \*\* - The transport gross weight is the a weight of the complete boat in standard package.
- \*\*\* - Because of differences of local boatbuilding standarts The Loading capacity and Maximum Engine Power may vary by country. Please check that with your local GRAND dealers.
- \*\*\*\* - Boat design category under European Union Directive 2013/53/EU.

## Compartment Chart



- |                      |                           |
|----------------------|---------------------------|
| 1 - Bow locker       | 4 - Rear dry compartment  |
| 2 - Bow side storage | 5 - Lower bilge storage   |
| 3 - Console storage  | 6 - Fuel tank compartment |

## Performance Chart



Performance data are approximate for boat with light load



## Standard Features

- Deep-V fiberglass hull with HSH system, transom extensions and spray protection system
- Inflatable tube with fiberglass step ends
- Wide bow step plate with pull-up cleat navigation lights
- High-profile steering console, with front seat, wind-shield and stainless steel handrail (G480LF)
- Low-profile steering console, with front seat and stainless steel handrail (G480EF)
- Molded in bow and rear storage with cushion
- Bow grab handle and onboard safety grab handles
- Two stainless steel side rails for rear seat (G480EF)
- Towing bow eye, one front and two rear lifting eyes
- Two rear pull-up cleats
- Stainless steel navigation arch with two handrails (G480LF)

## Grand Luxe Features

- Built-in 55 liter fuel tank with filler, vent and sender
- Electric package with nav. lights, bilge pump, electric horn, switches, battery switch and complete wiring

## Optional Equipment

- Bow removable sundeck with cushion
- Stainless steel waterski towing mast
- Removable bow table
- Stainless steel bimini top
- Overall cover, console cover
- Overpressure valve
- Keel and tube protector packages
- SILVERTEX upholstery upgrade
- SeaDek antiskid set

YOUR LOCAL DEALER

