

RIGID INFLATABLE BOAT
GOLDEN LINE

MODELS:

G340EF, G380EF

USER'S MANUAL

GRAND GOLDEN LINE Tenders

Inflatable motor boat of the "GOLDEN LINE" series: G340EF, G380EF has been designed under requirements of ISO 6185 "Plastomer and Elastomer Inflatable Boats" and DIN 7870 "Inflatable Boats with Reinforced Shells".

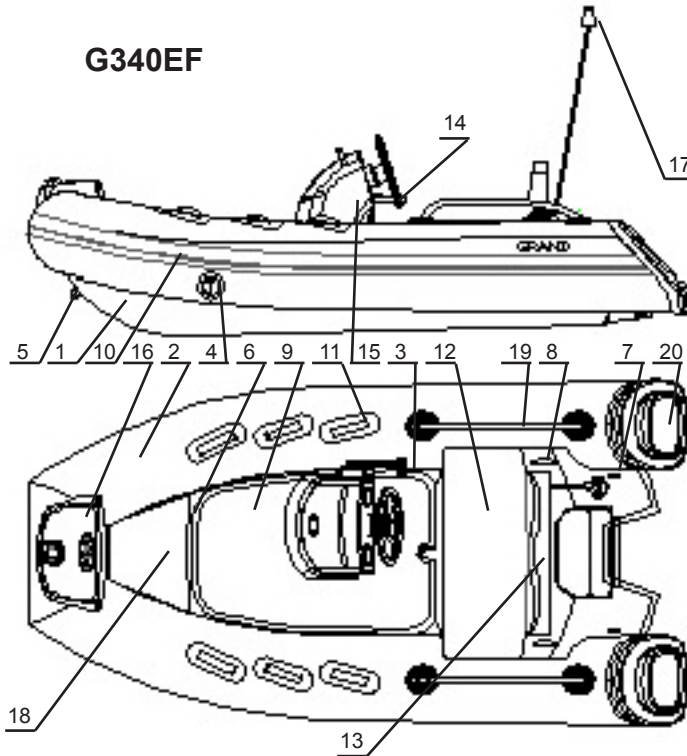
The rigid inflatable motor boat of the "GOLDEN LINE" series relates to the category of pleasure boats and is intended for water sports, tourism, the use as a floating means on board of launches, yachts and other vessels.

TECNICAL DATA SPECIFICATION

Model	Unit	G340EF	G380EF
Length overall	m / ft-inches	3.3 / 10'10"	3.6 / 11'10"
Length inside	m / ft-inches	2.4 / 7'10"	2.7 / 8'10"
Width overall	m / ft-inches	1.76 / 5'9"	1.86 / 6'1"
Width inside	m / ft-inches	0.80 / 2'7"	0.88 / 2'11"
Tube diameter max	m / ft-inches	0.43 / 17"	0.46 / 18"
Number of chambers		3	3
Passenger capacity	pers.	4	5
Load capacity	kg / lbs	580 / 1276	650 / 1430
Boat weight	kg / lbs	130 / 286	170 / 374
Engine power recommended	HP / kW	15/ 11	30/ 22.1
Engine power max	HP / kW	25/ 18.4	40/ 29.4
Engine weight max	kg / lbs	70	95
Engine shaft length		15"(short)	20"(long)
Boat design Category(Dir.94/25/EC)		C	C

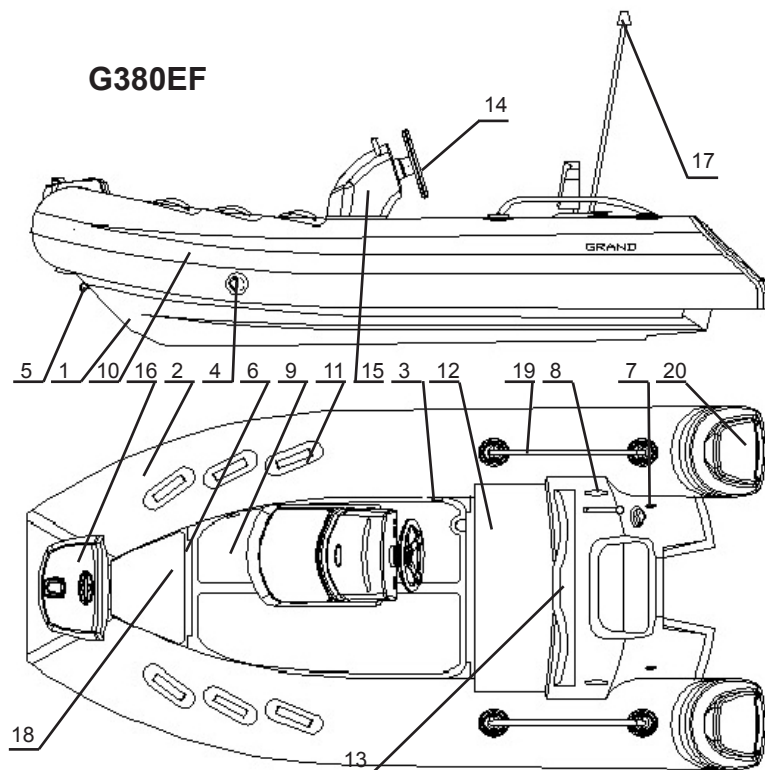
GRAND GOLDEN LINE Tenders

G340EF



Pos	Item
1	Fiberglass hull
2	Buoyancy tube
3	Inflation / deflation valve
4	Tube towing eye
5	Hull towing eye
6	Stern lifting eyes
7	Rear lifting eyes
8	Cleat
9	Antiskid deck surface
10	Doublelead raised rubbing strake
11	Safety grab handles
12	Molded-in stern stowage with seat cushion
13	Rear seat back with cushion
14	Steering wheel
15	Console CL-07
16	Bow step plate with poll-up cleat, navigation light
17	Navigation lights
18	Molded-in bow stowage with cushion
19	Safety handles
20	Fiberglass step ends of inflatable tube

GRAND GOLDEN LINE Tenders



Pos	Item
1	Fiberglass hull
2	Buoyancy tube
3	Inflation / deflation valve
4	Tube towing eye
5	Hull towing eye
6	Stern lifting eyes
7	Rear lifting eyes
8	Cleat
9	Antiskid deck surface
10	Doublelead raised rubbing strake
11	Safety grab handles
12	Molded-in stern stowage with seat cushion
13	Rear seat back with cushion
14	Steering wheel
15	Console CL-06
16	Bow step plate with poll-up cleat, navigation light
17	Navigation lights
18	Molded-in bow stowage with cushion
19	Safety handles
20	Fiberglass step ends of inflatable tube

GRAND GOLDEN LINE Tenders

COMPLETE SET

Model	G340EF	G380EF
STANDART FEATURE		
Deep "V" hand-laid fiberglass hull with antiskid surfase	<input type="checkbox"/>	<input type="checkbox"/>
3 towing eye, 4 lifting eyes, 2 rear cleats.	<input type="checkbox"/>	<input type="checkbox"/>
Cocpit drain system	<input type="checkbox"/>	<input type="checkbox"/>
Soft curvdmulti-chamber buoyancy tube	<input type="checkbox"/>	<input type="checkbox"/>
Fiberglass step ends of inflatable tube	<input type="checkbox"/>	<input type="checkbox"/>
Doubled tough raised rubbing strake	<input type="checkbox"/>	<input type="checkbox"/>
Bow grab handle and board safetygrab handles	<input type="checkbox"/>	<input type="checkbox"/>
Molded-in lockable bow stowage with cushions	<input type="checkbox"/>	<input type="checkbox"/>
Molded-in rear lockable seat with cushions and seat back	<input type="checkbox"/>	<input type="checkbox"/>
Steering console CL-07	<input type="checkbox"/>	<input type="checkbox"/>
Steering console CL-06 with front seat, removable cushion	<input type="checkbox"/>	<input type="checkbox"/>
Steering csystem with cable and steering wheel	<input type="checkbox"/>	<input type="checkbox"/>
Extended bow step plate with pull-up clrat, navigation light and seat back	<input type="checkbox"/>	<input type="checkbox"/>
Footpump, 2 paddles	<input type="checkbox"/>	<input type="checkbox"/>
GRAND LUXE FEATURE		
Electric packages	<input type="checkbox"/>	<input type="checkbox"/>
Boat cable	<input type="checkbox"/>	<input type="checkbox"/>
OPTIONAL EQUIPMENT		
Keel and tube protection system	<input type="checkbox"/>	<input type="checkbox"/>
Overall cover	<input type="checkbox"/>	<input type="checkbox"/>
Console cover	<input type="checkbox"/>	<input type="checkbox"/>
Upgrade to close-cell foam cushions set	<input type="checkbox"/>	<input type="checkbox"/>
Bimini-top and filding st.steel ladder	<input type="checkbox"/>	<input type="checkbox"/>
Tachometer, speedometer, compass	<input type="checkbox"/>	<input type="checkbox"/>

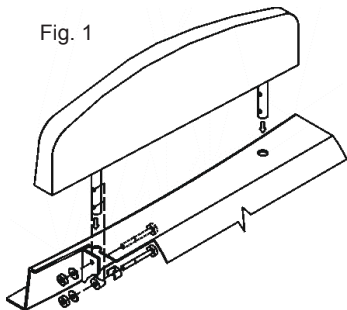
GRAND GOLDEN LINE Tenders

PREPARATION FOR EXPLOITATION

- 1 Unpack the boat and unfold the inflatable tube.
- 2 Set all valves in the operation condition (look below).
- 3 Install the molded-in helm seat back (see Fig. 1):

- insert seat-back support into the holes of overhead seating part;
- fix seat-back by means of the bolts M6x50, shaped washers, washers and nuts M6 from the complete set.

Fig. 1



4 Steering console mounting:

- mount the outboard engine on the transom in accordance with its own installation instruction (User's manual of your outboard engine);
- extend the engine remote control cables and steering cable from engine mounting place to steering console mounting place through the holes on the deck and helm stowage;

- unfix and hinge out overhead part of steering console and steering console seat;
 - align holes in the windscreen with holes in the console overhead part;
 - fix windscreen by means of the screws M6x25, bushs, washers, nuts M6 from the complete set (see Fig. 2, Fig. 2).
 - mount the block of remote control on the right side of the steering console;
 - attach steering system cable in accordance with its own installation (manual);
 - connect electric cable to the steering console (see wiring diagram);
 - install the steering console, before installation put weather stripping along the edges of the console then install the console on regular places of the deck, and fix it by means of the bolts M8x25, washers from the complete set.
 - tighten all the bolts;
- 5 Fill the tube compartments with air using the pump from the complete set. On completion of filling close the valves with caps. The rated pressure value is 0.15 bar (2.15 psi).

Fig. 2

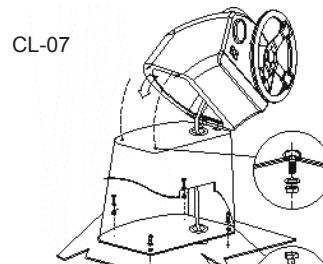
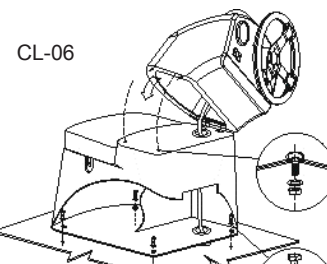


Fig. 3



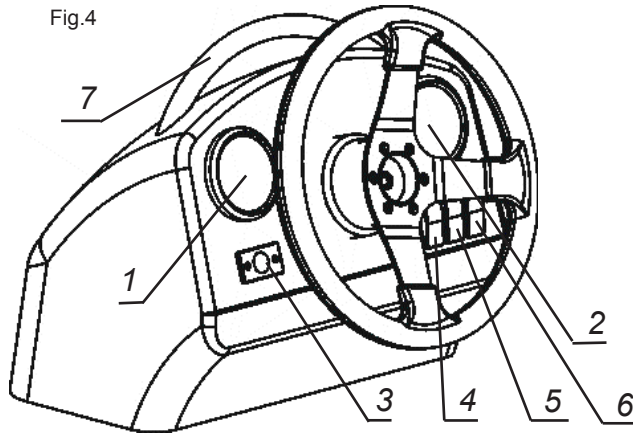
GRAND GOLDEN LINE Tenders

CONSOLE EQUIPMENT

Console equipment included(Fig.4):

- steering system;
- steering cable;
- steering wheel;
- handle(7)
- tachometer (1)(optional equipment);
- speedometer (2)(optional equipment);
- electric accessory socket(3);
- switches:
- horn(6);
- hull drain pump(5);
- navigation lights(4).

Fig.4



INFLATION / DEFLATION VALVES OPERATION

The inflation/deflation valve is intended for:

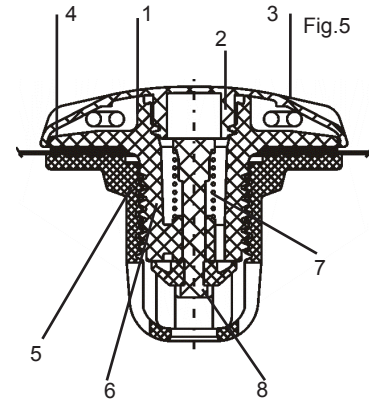
- filling the compartment with air from a standart pump or filling system and maintaining pressure in the tube for prolonged time.
- adjustable drop of pressure in compartment.

The air fill valve is designed as a tab-type non-return valve.

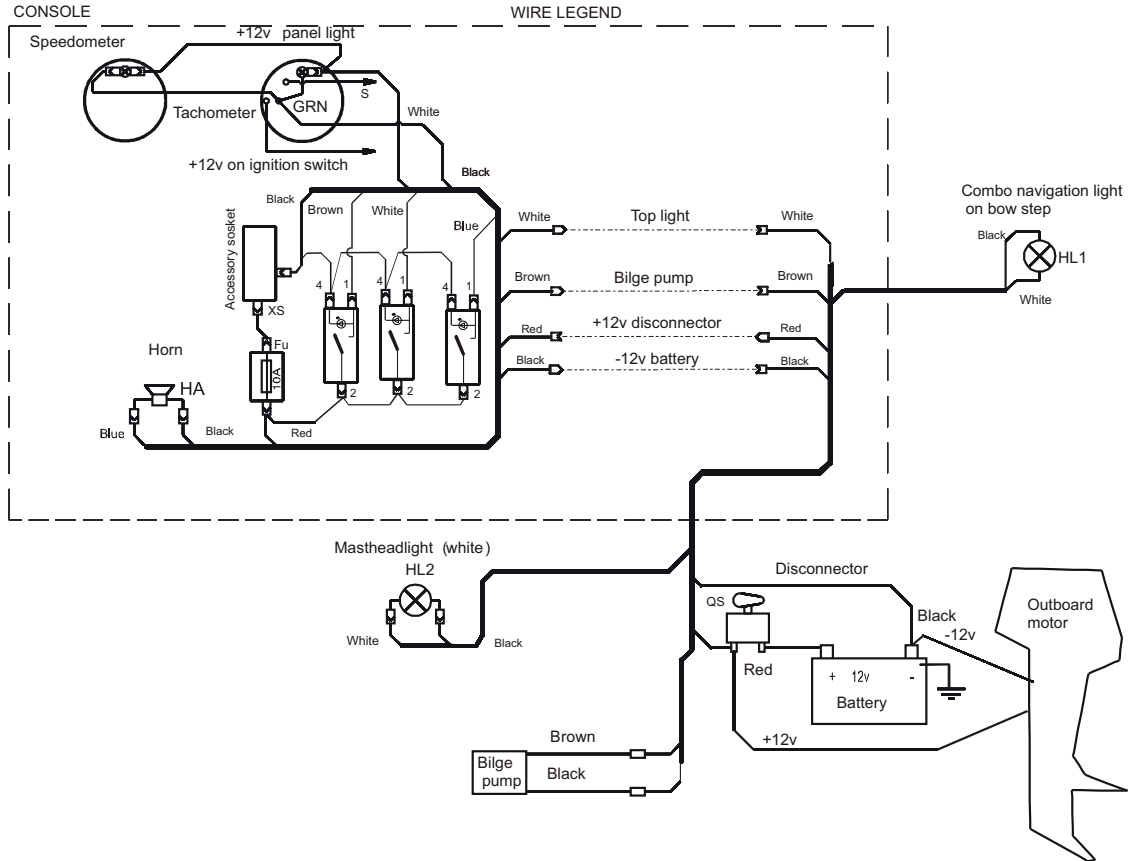
Every inflation / deflation valve includes the following parts : valve body 1, valve nut 5, valve cap 2 with strap 3, washerwith gasket 4, spindel 6 with spring 7, cup diaphragm 8 (Fig.5).

INFLATION MODE : valve is closed with gasket 4 tight . To move the valve to deflation mode : push the button 6 and turn it clockwise to fix it in lower position

DEFLATION MODE : button is fixed in lower position. To move the valve to inflation mode : push the button 6 and turn it counter clockwise. The button goes to upper position.



GRAND GOLDEN LINE Tenders



GRAND GOLDEN LINE Tenders

MAINTENANCE

Main conditions of long service life is right and careful service.
Avoid excessive increasing of pressure in the board, especially from heating by the sun rays.

After exploitation take off sand and dirt from boat surface, and carefully dry it.

Avoid the water getting into the chambers. If a fuel or an oil / gas gets to the boat surface it is necessary to wash the soiling place by soap water as soon as possible and dry.

Pay attention to the condition of bottom and seat surfaces. If the coating is destroyed it is necessary to dry this element and restore the defend ply.

After the season prepare the boat to winter keeping. Clean boat surface from sand and dirt and make the necessary repairs, if damages take place. If it is possible, keep the boat in the open and slightly pumped state in air temperature 0-25°C. The boat must be protected from the sun rays.

Insignificant boat repairing (eliminating the board punctures or cuts) you may carry out by yourself. In this case use the coated fabric patches from the complete set. Ask your dealer for the correct type of glue you may use for the repair.

In case if sufficient damages of hull, tube body, partitions or seams it is recommended to apply for professional repair in authorised service station.

OPERATING REGULATIONS

Dear user,
We thank you for your purchase and do hope that you will have a great fun of it. However, to make your joy and pleasure complete, we would request you to read carefully and observe the directions and recommendations specified below.

IT IS STRICTLY FORBIDDEN :

to handle the boat in the state of intoxication and without individual rescue means being used (life-saving belts, jackets, etc.)

IT IS FORBIDDEN :

- to overload the boat above the design weight-carrying capacity;
- to use an outboard engine of power exceeding the maximum allowable value;
- to bring the tube pressure up to the value exceeding the rated one (0.15 bar/ 2.15 psi);
- to drag the boat across a rough surface.

Danger of usage of engine having insufficient or excessive power

According to the safety regulations, each inflatable boat should be furnished with an outboard engine having the maximum allowable power. You will find the data on the maximum allowable power of the engine on the manufacturer's plate with the designation of the model type inscribed thereon. The plate is fixed in the afterbody of the boat. However, you should choose the engine power within the allowable range so as to ensure that you may safely reach the shore when heading into the wind or into the current.

GRAND GOLDEN LINE Tenders

Observation of local shipping regulations

For each particular water area the local shipping regulations are in force. You may apply for information to the appropriate water transport and shipping directorate, as well as to the water police.

Proper usage of boat equipment and accessories

Use the boat equipment and accessories only on their direct purpose to ensure reliable service.

Availability of Oars

Even when sailing with an outboard engine you should always have the oars available with you so that you were able to reach the shore without outside assistance in case of any damage to the boat.

Usage of emergency stop switch

On your request any outboard engine seller may provide your engine with the emergency stop switch. During navigation the switch should be connected to the wrist of your hand by means of a cord. In case you fall overboard, even if being a steersman, the switch will cut out the engine and the propeller. This arrangement will enable you to avoid any traumas and to reach the boat.

Prevention of damages caused by electrolyte or fuel leakages

Take all possible precautions against penetration of fuel or electrolyte from the storage battery into the inflatable boat. If it does happen wash thoroughly the fouled spots with water.

Cargo arrangement and stowing, attachment of items and prevention of falling overboard

You should be always sure that the number of people on board never exceeds that specified in the user's manual or on the manufacturer's plate provided on the transom.

The boat will retain an adequate floatability and will not keel over only provided that the load is arranged reasonably. Therefore, do not accommodate all passengers on the same side of the boat. Arrange the cargo to be carried uniformly inside the boat, all items being reliable secured on the bottom of the boat. All passengers should be accommodated inside the boat.

The occupied seats should not be left throughout the entire sail ing time. When sailing with an outboard engine the steersman should shift his body forward in the course of acceleration to prevent the boat forebody from raising under the force of upthrust waves.

Presence of sharp and pricking objects on board

Despite the strong shell of the boat we are recommended to handle sharp and pricking objects being on board with care. For example, it concerns a knife blade, fish-hook point, etc.

Rocky shore, mole, shoals (for example, sand banks, coral reefs, rocks)

Approach rocky shores, shoals, moles, etc. carefully to avoid damages to the boat. It is strictly prohibited to drag the boat across rough surfaces (shingle, rocks, concrete, etc.).

Check at navigation

In case of prolonged navigation with the use of an outboard engine, regularly check to ensure that the engine is reliably attached to the boat. If the engine was attached carelessly the attachment may work loose under the action of vibration.

Besides, check air chambers pressure at regular intervals, since the pressure may vary under the effects of outside air temperature and atmospheric pressure variations.

Never forget to monitor regularly the quantity of fuel in the fuel tank. Keep always in mind that the quantity of fuel should be sufficient for you to sail to your final destination.

GRAND GOLDEN LINE Tenders

Availability of rescue means (life-saving jackets, distress signals, spare parts)

If you are planning to go beyond the protected water areas you should provide all passengers on board with life-saving jackets under strong wind and heavy seaways conditions. Those passengers who cannot swim should always carry the life-saving jackets while on board! It is also recommended to keep constantly distress signal means on board.

Towing

At towing the towing rope length should not be at least 3 lengths of the boat, the rope being secured to both boats in a manner ensuring its immediately, single-motion release. The steersman of the towed boat should be assisted by another crew member to monitor the process of towing. In this case, certain communication gestures should be agreed upon beforehand.

Damage to one of air chambers

The inflatable boat is designed to provide an adequate stability in case of the complete damage to one the air chambers (balloon compartments) at the expense of the remaining air chambers and the hull. Thanks to it, you will be able to reach safely the nearest shore. Reduce the speed and shift your body to the undamaged part of the boat. Watch changes in stability. After this immediately head for the nearest shore. To prevent penetration of water into the boat, pull the shell of the damaged air chambers upwards.

Anchor and mooring fast fastening

Fix the anchor and towing ropes in the forebody of the boat to the front towing ring. Fix the back spring on the transom via special holes.

Danger of currents and wind

Before navigation of the boat in unfamiliar waters make detail inquiries about local conditions and regulations! Currents, wind, shoals, rising and falling tides, as well as weather variations may imply serious danger!

In emergency stay in boat

In any unexpected situation (engine failure, boat damage, etc.) do not ever leave the boat provided it is still afloat. Even if you believe that the shore is just nearby stay in the boat, since you will be looked for in this particular place and, most probably, will be found. Should the boat become partially flooded throw heavy objects (batteries, fuel tank, engine) overboard to ensure additional floatability.

The "GRAND" Company employees would like to wish you a pleasant and safe leisure time!