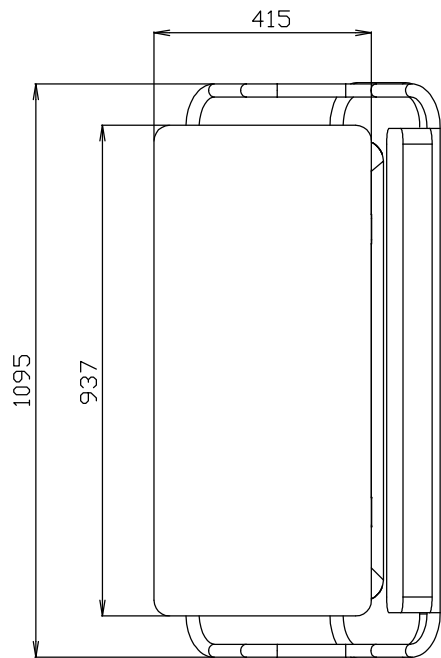
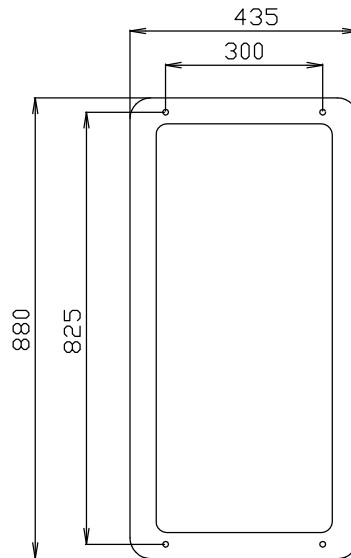


↑ A



View A



Zone	Item	Designation	Denomination	Qty	Remark
	1	42312W	Fiberglass container body	1	
	2	54013	Handrail	1	
	3	54014	Rear railing	1	
	4	4634	Seat back	1	
	5	4635	Removable seat	1	
	6	52069	Seat base	1	

UNLESS OTHERWISE SPECIFIED: DIMENSIONS ARE IN MILLIMETERS SURFACE FINISH: TOLERANCES: LINEAR: ANGULAR:		FINISH:		DEBUR AND BREAK SHARP EDGES		DO NOT SCALE DRAWING		REVISION	
DRAWN	NAME	SIGNATURE	DATE			Double seat SD-02			
CHK'D	Borodin		30.10.12						
APP'D	Droblyazko								
MFG	Grebennikov					2302		A2	
QA					MATERIAL:				
					WEIGHT:	-		SCALE:1:1	
						SHEET 1 OF 1			

PROPRIETARY AND CONFIDENTIAL
THE INFORMATION CONTAINED IN THIS
DRAWING IS THE SOLE PROPERTY OF
GRAND MARINE CORPORATION. ANY
REPRODUCTION IN PART OR AS A WHOLE
WITHOUT THE WRITTEN PERMISSION OF
«GRAND MARINE CORPORATION» IS
PROHIBITED.