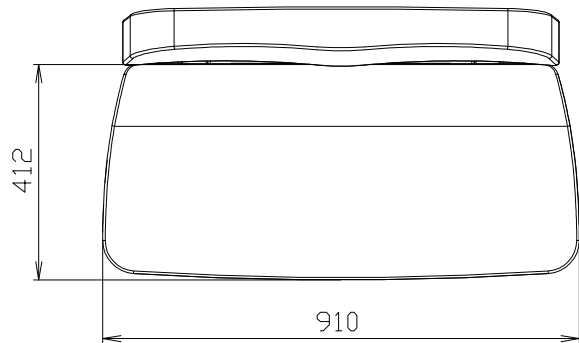
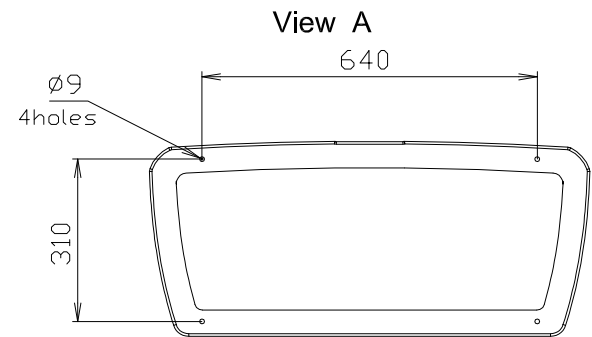
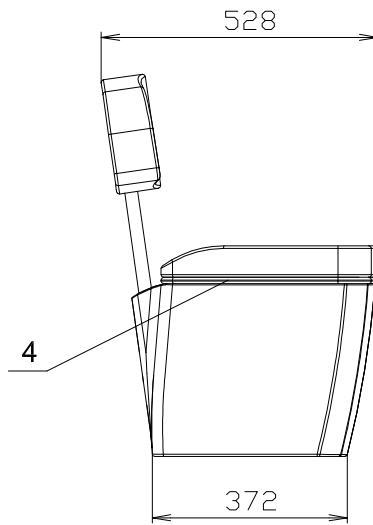


↑ A



Zone	Item	Designation	Denomination	Qty	Remark
	1	42111W	Fiberglass container body	1	
	2	50797	Seat back	1	
	3	50796	Removable seat	1	
	4	52477	Seat base	1	

PROPRIETARY AND CONFIDENTIAL
 THE INFORMATION CONTAINED IN THIS
 DRAWING IS THE SOLE PROPERTY OF
 GRAND MARINE CORPORATION. ANY
 REPRODUCTION IN PART OR AS A WHOLE
 WITHOUT THE WRITTEN PERMISSION OF
 GRAND MARINE CORPORATION IS
 PROHIBITED.

UNLESS OTHERWISE SPECIFIED: DIMENSIONS ARE IN MILLIMETERS SURFACE FINISH: TOLERANCES: LINEAR: ANGULAR:		FINISH:		DEBUR AND BREAK SHARP EDGES		DO NOT SCALE DRAWING		REVISION	
DRAWN	NAME Borodin	SIGNATURE	DATE 30.10.12						
CHECKED	Drobyazko								
APPROVED	Grebennikov								
MFG									
D.A.					MATERIAL:				
					WEIGHT:	-	SCALE:1:1		SHEET 1 OF 1

Double seat SD-06

2306

A2