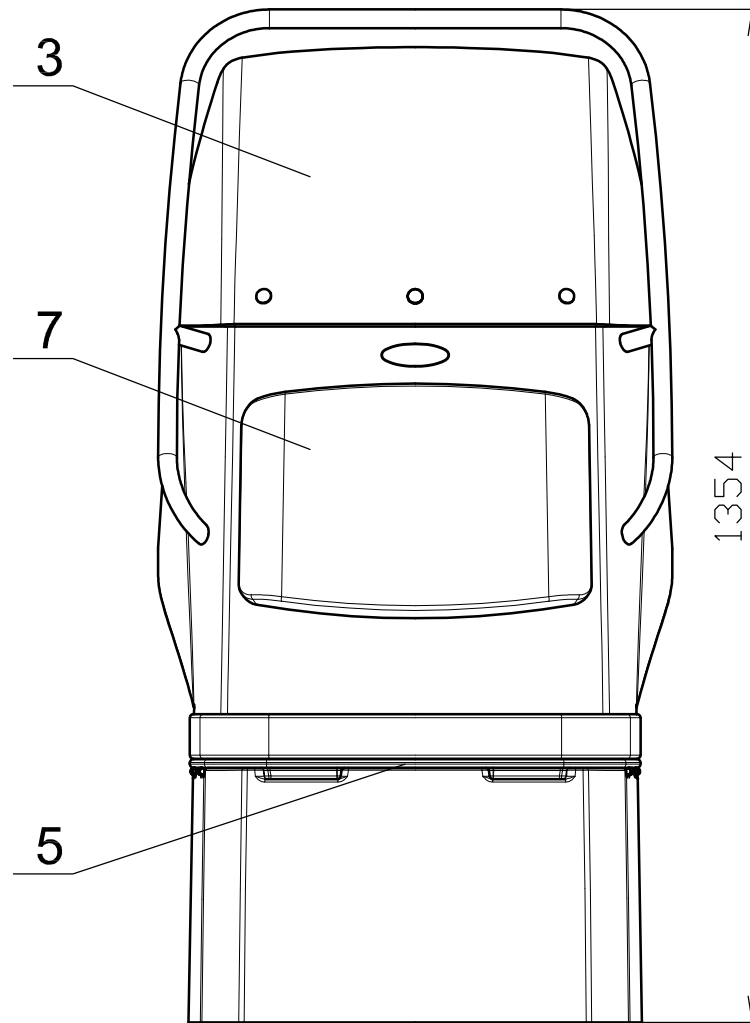
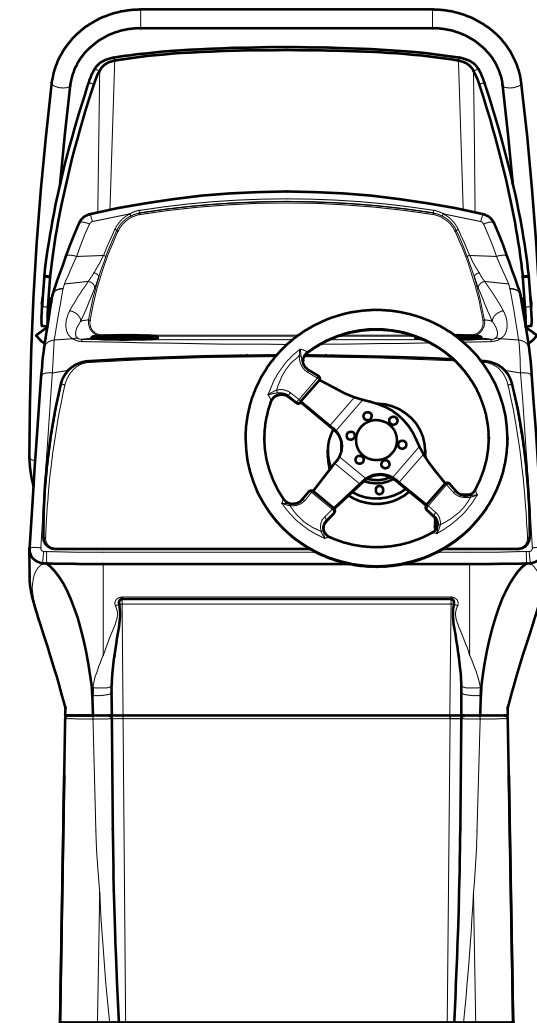


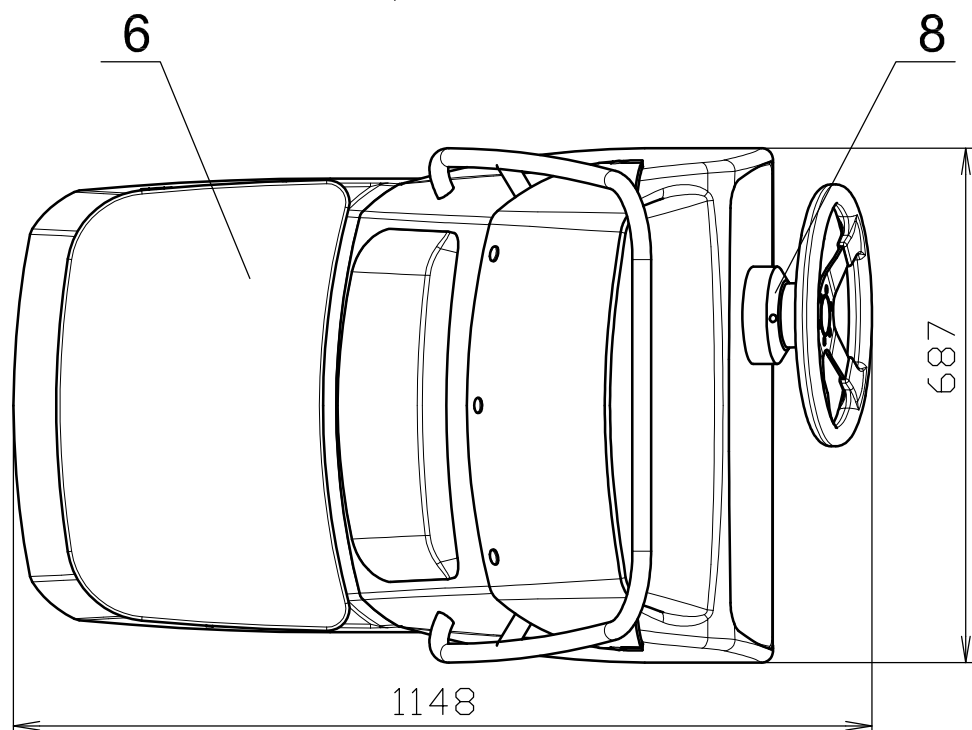
B



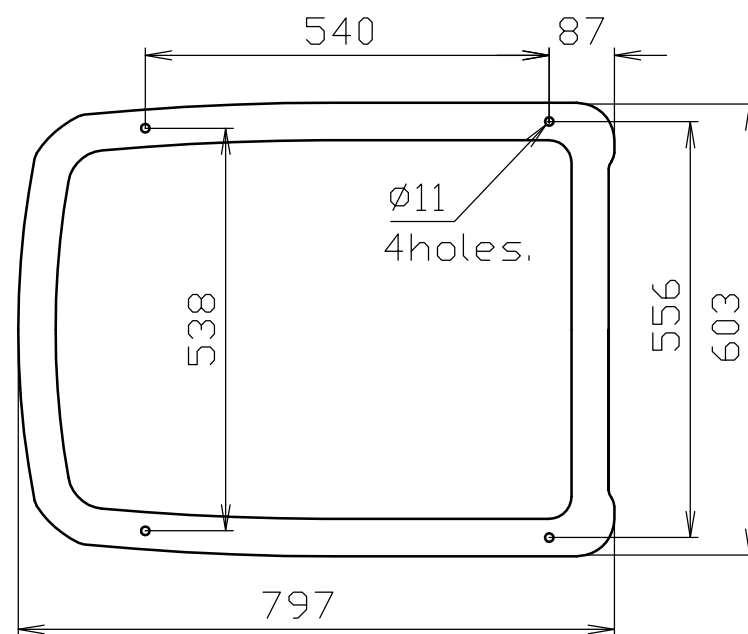
View B



A



View A



| Zone | Item | Designation | Denomination                                 | Q-ty | Remark |
|------|------|-------------|--|------|--------|
|      | 1    | 42126W      | Top rack                                     | 1    |        |
|      | 2    | 42127W      | Bottom rack                                  | 1    |        |
|      | 3    | 4492        | Windshield, with installation kit            | 1    |        |
|      | 4    | 2259        | St. steel railing for, with installation kit | 1    |        |
|      | 5    | 52497       | Seat base                                    | 1    |        |
|      | 6    | 4639        | Seat for                                     | 1    |        |
|      | 7    | 4659        | Seat back                                    | 1    |        |
|      | 8    | 64053       | Steering systems for engines 50HP and over   | 1    |        |
|      | 9    | 2281        | Steering wheel De Luxe                       |      |        |

|  |             |          |  |                                   |  |  |  |            |  |
|--|-------------|----------|--|-----------------------------------|--|--|--|------------|--|
| UNLESS OTHERWISE SPECIFIED:<br>DIMENSIONS ARE IN MILLIMETERS |             | FINISH:  |  | DEBUR AND<br>BREAK SHARP<br>EDGES |  | DO NOT SCALE DRAWING                             |  | REVISION   |  |
| SURFACE FINISH:  |             |          |  |                                   |  |  |  |            |  |
| TOLERANCES:  |             |          |  |                                   |  |  |  |            |  |
| LINEAR:  |             |          |  |                                   |  |  |  |            |  |
| ANGULAR:   |             |          |  |                                   |  |  |  |            |  |
| NAME   | SIGNATURE   | DATE     |  |                                   |  | <b>Steering console CL-12</b><br><br><b>2220</b> |  |            |  |
| DRAWN  | Borodin     | 30.10.12 |  |                                   |  |  |  |            |  |
| CHKD   | Droblyazko  |          |  |                                   |  |  |  |            |  |
| APPVD  | Grebennikov |          |  |                                   |  |  |  |            |  |
| MFG  |             |          |  |                                   |  |  |  |            |  |
| Q.A  |             |          |  |                                   |  | MATERIAL:  |  |            |  |
|  |             |          |  |                                   |  | WEIGHT:  |  | SCALE: 1:1 |  |
|  |             |          |  |                                   |  | SHEET 1 OF 1                                     |  |            |  |

PROPRIETARY AND CONFIDENTIAL  
THE INFORMATION CONTAINED IN THIS  
DRAWING IS THE SOLE PROPERTY OF  
GRAND MARINE CORPORATION. ANY  
REPRODUCTION IN PART OR AS A WHOLE  
WITHOUT THE WRITTEN PERMISSION OF  
<GRAND MARINE CORPORATION> IS  
PROHIBITED.